



Select Series LED General Purpose Strip Luminaires

3 Wattage and
3 CCT Selectable



TCP's Select Series LED General Purpose Strip Luminaires are designed to efficiently deliver robust performance while maximizing savings. These wattage and color selectable LED luminaires significantly reduce energy consumption compared to fluorescent systems, providing instant energy savings and potential utility rebates where available. A long 50,000 hour rated life significantly decreases maintenance labor and material costs over the life of the fixture.

TCP's General Purpose Strip incorporates a ribbed, frosted white diffuser lens to protect the LEDs and minimize glare, while delivering bright, uniform light.

Reasons to choose the Select Series LED General Purpose Strip Luminaires from TCP

- Wattage and color selectable
- Uses up to 58% less energy than traditional fluorescent systems for instant energy savings and potential rebate eligibility
- 50,000 hour rated life minimizes replacements and labor costs
- 0-10V dimming driver comes standard for smooth, continuous dimming
- Excellent color consistency and CRI enhance focal point color while maintaining uniformity throughout lighting installation
- Mercury-free construction is great for all environments
- Surface mount, suspended or pendant installation options make it easy to install in both new and retrofit applications

Ideal Applications

- General Lighting
- Task Lighting
- Aisles
- Warehouses
- Storage
- Manufacturing Facilities
- Retail





Select Series LED General Purpose Strip Luminaires

Specifications

Input Line Voltage 120-277 VAC
 Input Line Frequency (Hz) 50/60Hz
 Lumens:
 SW2:
 2 ft: 2500L/3000L/4200L
 4 ft: 2500L/3000L/4200L
 8 ft: 2500L/3000L/4200L
 SW4:
 4 ft: 4200L/5200L/6000L
 8 ft: 4200L/5200L/6000L
 Wattage:
 SW2:
 2 ft: 18W/22W/32W
 4 ft: 18W/22W/32W
 8 ft: 18W/22W/32W
 SW4:
 4 ft: 32W/40W/46W
 8 ft: 32W/40W/46W
 Lumens per Watt (LPW) >130 LPW
 Color Temperature (CCT) 35/40/50K Selectable
 Dimming 0-10V (standard)
 Controls Occupancy sensor w/ daylight harvesting (optional)
 Rated Life >50,000 hours
 Operating Temperature -20°C to 50°C
 CRI 82
 Power Factor >0.9
 THD <20%
 Warranty 5 Years



Replacement Comparison

SYSTEM	BALLAST FACTOR	INPUT WATTS*	LED ENERGY SAVINGS
TCP LED Strip Luminaire – 2 FT	—	18W	—
2 Lamp 17W T8	1.0	33	45%
TCP LED Strip Luminaire – 4 FT	—	32W	—
2 Lamp 32W HBF	1.18	65	51%
2 Lamp 32W NBF	0.88	59	46%
TCP LED Strip Luminaire – 8 FT	—	65W	—
4 Lamp 32W T8 HBF	1.18	153	58%
4 Lamp 32W T8 NBF	0.88	112	42%

*ACTUAL WATTAGE MAY DIFFER BY +/-10% WHEN OPERATING BETWEEN 120-277V.

Lumen Maintenance Factor

	36,000 hours ¹	50,000 hours ²	100,000 hours ²	Reported L ₇₀ (hours) ¹
GPS2UZDSW2CCT	90.61%	86.90%	74.82%	>36,000
GPS4UZDSW2CCT	90.61%	86.90%	74.82%	>36,000
GPS8UZDSW2CCT	90.61%	86.90%	74.82%	>36,000

¹ IESNA TM-21-11 projected value based on 6X IESNA LM-80-08 total test duration of 6,000 hours.

² IESNA TM-21-11 calculated value exceeds 6X IESNA LM-80-08 total test duration of 6,000 hours.





Select Series LED General Purpose Strip Luminaires

Applications

TCP's Selectable LED General Purpose Strip Luminaire delivers bright, uniform light and long-life, with the benefits of energy savings and low maintenance. Applications include general lighting, task lighting, aisles, warehouses, storage, manufacturing facilities and retail spaces.

Construction

- Visually appealing slim, low-profile design
- Heavy duty aluminum housing
- Durable UV stabilized powder coat finish
- Easy surface mount, suspended or pendant installation

Electrical

- Selectable wattage and color
- Universal 120-277V
- 0-10V dimming (standard)
- Long 50,000 hour rated life
- cULus damp location rated
- Optional emergency backup
- Optional occupancy sensors with daylight harvesting (sold separately)

Optics

- Durable ribbed, frosted white diffuser lens
- Glare-free light distribution

Item Number	
Notes	Type



Listings

cULus Listed – damp location rated
RoHS Compliant

Warranty

Five year limited warranty against defects in manufacturing

Installation

Surface, suspended or pendant mounted

Before installation, please consult your local ordinances and building codes for compliance

Catalog Ordering Matrix Example: GPS2UZD18CCT

BRAND	SIZE	VOLTAGE	CONTROLS	LUMEN PACKAGE (POWER) ^{1,2}	WATTAGE	CCT	FACTORY INSTALLED OPTIONS	FACTORY INSTALLED CONTROL OPTIONS
SELECTABLE WATTAGE WITH SELECTABLE CCT								
GPS – General Purpose Strip	2 – 2ft	U – 120V-277V	ZD – 0-10V Dimming	SW2– 2500/2900/4200L	18/22/32W	CCT – 35K/40K/50K Color Selectable	BLANK – No Controls EB – Battery Backup ³	BLANK – No Controls LS1 – PIR Motion Sensor LS1D – PIR/ Daylight Sensor IS – Integrated Sensor NLS – Network Lighting Control Sensor ⁴
	4 – 4ft			SW2– 2500/2900/4200L SW4– 4200/5200/6000L	18/22/32W 32/40/46W			
	8 – 8ft			SW2– 2500/2900/4200L SW4– 4200/5200/6000L	18/22/32W 32/40/46W			

¹ Actual wattage may vary by +/- 10%.

² Approximate lumen output. Actual performance may vary based on CCT, options selected and end user application.

³ Internal battery backup not available on the 2' models due to size constraints.

⁴ The NLS Network Lighting Control sensor is sold as a field installed sensor and will be included in the box when using the suffix 'NLS.' This is done for compliance with all rebate requirements.

⁵ Other finish colors are available as special order.

ACCESSORIES (Ordered Separately; Sensors can be installed at the factory)

TCPGPS4LENS – GP Strip and Retrofit Lens 4FT Section (8ft uses 2 lenses)

LS1 – Leviton PIR Occupancy Sensor w/bracket and interchangeable lenses, 40' or less, 120V, 277V or 347V

LS1D – Leviton PIR Occupancy Sensor w/Daylight Harvesting, 40' or less, 120V, 277V or 347V

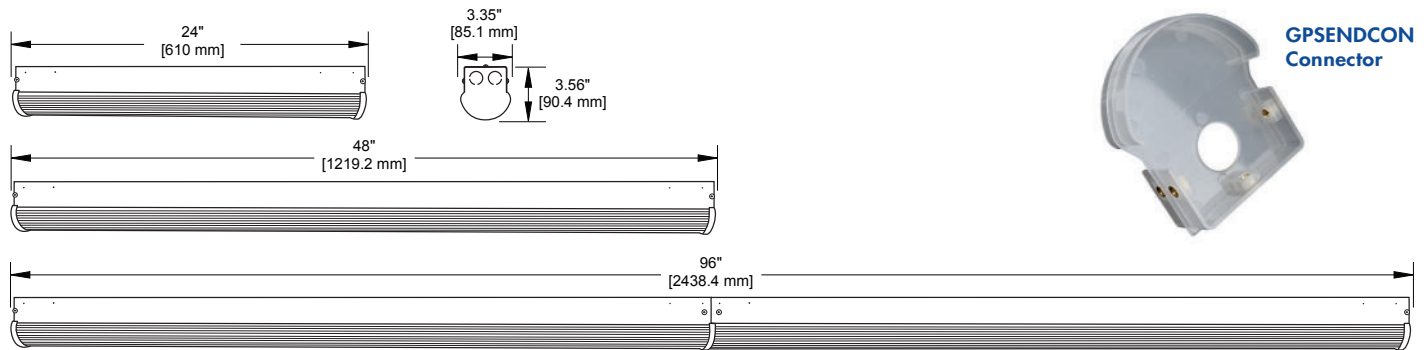
GPSENDCON – Connector to join General Purpose Strips end-to-end





Select Series LED General Purpose Strip Luminaires

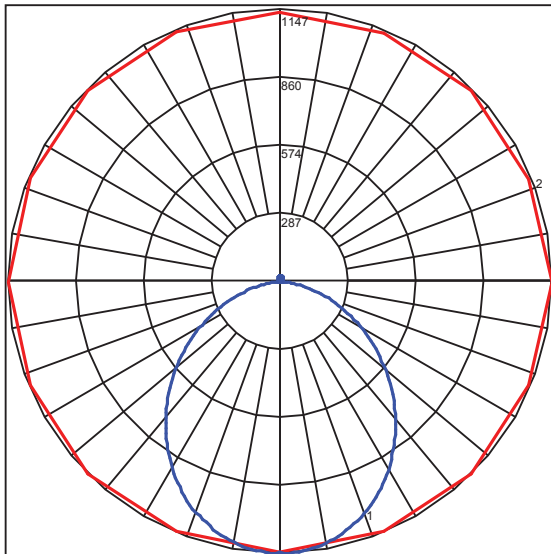
Dimensions and Mounting Data



Photometric Report

Based on photometric data for
TCP Item # GPS4UZDSW4CCT

Polar Graph



Maximum Candela = 1147.2 Located At Horizontal Angle = 0, Vertical Angle = 1
1 - Vertical Plane Through Horizontal Angles (0 - 180) (Through Max. Cd.)
2 - Horizontal Cone Through Vertical Angle (1) (Through Max. Cd.)

Spacing Criterion (0-180): 1.18

Spacing Criterion (90-270): 1.3

Specifications and dimensions subject to change without notice.

Coefficients of Utilization – Zonal Cavity Method

Effective Floor Cavity Reflectance 0.20

RC	80				70				50			30			10			0
	RW	70	50	30	10	70	50	30	10	50	30	10	50	30	10	50	30	
0	116	116	116	116	112	112	112	112	105	105	105	98	98	98	91	91	91	88
1	104	98	93	89	100	95	90	86	88	85	81	82	79	77	77	75	72	69
2	94	85	77	71	90	82	75	69	76	71	66	71	67	62	67	63	59	56
3	85	74	65	58	82	71	63	57	67	60	54	62	57	52	58	54	50	47
4	78	65	56	49	75	63	55	48	59	52	46	55	49	44	52	47	42	40
5	71	58	49	42	68	56	48	41	53	45	40	50	43	38	47	41	37	34
6	66	52	43	36	63	51	42	36	48	40	35	45	38	33	42	37	32	30
7	61	47	38	32	59	46	37	32	43	36	30	41	34	29	39	33	28	26
8	57	43	34	28	55	42	34	28	40	32	27	37	31	26	35	30	25	23
9	53	39	31	26	51	38	31	25	36	29	24	34	28	24	33	27	23	21
10	50	36	28	23	48	35	28	23	34	27	22	32	26	21	30	25	21	19

Zonal Lumen Summary

Zone	Lumens	%Lamp	%Fixt
0-20	415.69	N.A.	10.20
0-30	878.65	N.A.	21.50
0-40	1434.12	N.A.	35.10
0-60	2550.13	N.A.	62.40
0-80	3357.43	N.A.	82.20
0-90	3610.82	N.A.	88.40
10-90	3502.91	N.A.	85.70
20-40	1018.43	N.A.	24.90
20-50	1596.47	N.A.	39.10
40-70	1571.34	N.A.	38.50
60-80	807.30	N.A.	19.80
70-80	351.97	N.A.	8.60
80-90	253.40	N.A.	6.20
90-110	299.66	N.A.	7.30
90-120	374.85	N.A.	9.20
90-130	416.03	N.A.	10.20
90-150	457.55	N.A.	11.20
90-180	474.61	N.A.	11.60
110-180	174.95	N.A.	4.30
0-180	4085.43	N.A.	100.00

Total Luminaire Efficiency = N.A.%

TCP®

325 Campus Dr. | Aurora, Ohio 44202 | P: 800-324-1496 | tcp.com

©TCP JUN 2026/RS10049

Not all versions of this product are qualified on the DLC QPL. To view our DLC qualified products, please consult the DLC Qualified Products List at www.designlights.org/aql.



5 YEAR WARRANTY

TECHNOLOGY CAST IN A BEAUTIFUL LIGHT

For over 30 years, TCP has been designing, developing and delivering energy-efficient lighting into the market. Thanks to our cutting-edge technology and manufacturing expertise, we have shipped billions of high quality lighting products. With TCP, you can count on a lighting product that is designed to meet the needs of the market - that transforms your surroundings and envelopes you in warmth - lighting that generates beauty with every flip of the switch.

Sales:

Date:

Model:

Project:

Rep:

Catalog Number:

Type:

Notes:



For more information on the quality and care TCP can deliver, call us at **800.324.1496** or visit tcp.com

325 Campus Dr. | Aurora, Ohio 44202 | P: 800.324.1496 | F: 877.487.0516