



LED Outdoor Work Light

Product Specifications



TCP's LED Outdoor Work Light is perfect for a variety of applications. The 90-180° adjustable arm allows the user to customize the direction of light output. The die-cast cage design protects the interior light from damage in hazardous environments. By being color and wattage selectable, this model can be used in a variety of indoor and outdoor applications. This design allows for 3 different installation methods (wall mount, ceiling mount, and pipe-through). A long 50,000 hour rated life significantly decreases maintenance labor and material costs over the life of the fixture.

Reasons to choose the LED Outdoor Work Light from TCP

- 3000K/4000K/5000K color selectable
- 15W/20W/30W wattage selectable
- 180° beam angle with 90-180° adjustable arm
- Wet Location Rated IP65
- Long 50,000 hour rated life
- 5 Year Warranty

Ideal Applications

- Site Lighting
- Security Lighting
- Perimeters
- Entryways
- Covered Walkways
- Utility Areas





LED Outdoor Work Light

Applications

Applications include commercial, industrial, and rural exterior lighting; parking lots, cargo doors, high wall areas, and security.

Construction

- Die-cast aluminum housing
- Impact resistant acrylic lens

Electrical

- Electrical 120-277V
- Fits standard 4x4 junction box
- -22°F (-30°C) -113°F (45°C)

Optics

- Delivers bright, white light and excellent uniformity
- 180° beam



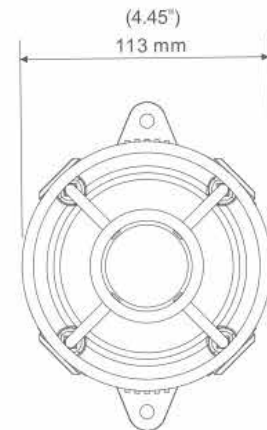
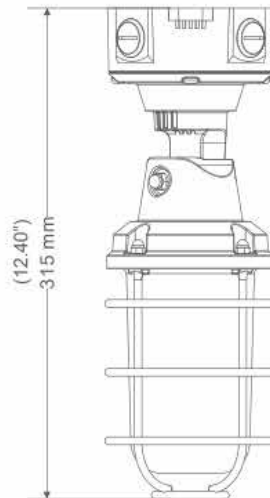
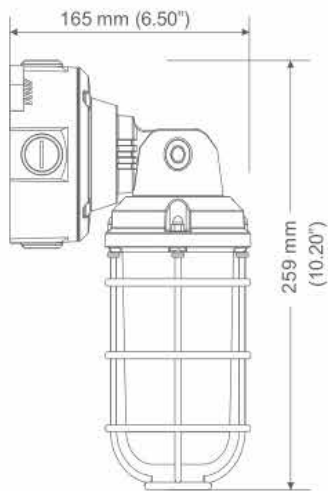
Listings

cULus Listed – wet location rated

Warranty

Five year limited warranty against defects in manufacturing

Dimensions



LED Outdoor Work Light

ITEM #	DESCRIPTION	LUMENS	WATTAGE	SELECTABLE CCT
OWLWSCCT	Outdoor Wattage & Color Selectable Work Light	1500/2000/3000	15W/20W/30W	3000K/4000K/5000K

For the most up-to-date specs and warranty information, please visit www.tcp.com

TCP®
325 Campus Dr. | Aurora, Ohio 44202 | P: 800-324-1496 | tcp.com
©TCP MAY 2023/WF402051



TECHNOLOGY CAST IN A BEAUTIFUL LIGHT

For over 30 years, TCP has been designing, developing and delivering energy-efficient lighting into the market. Thanks to our cutting-edge technology and manufacturing expertise, we have shipped billions of high quality lighting products. With TCP, you can count on a lighting product that is designed to meet the needs of the market - that transforms your surroundings and envelopes you in warmth - lighting that generates beauty with every flip of the switch.

Sales:

Date:

Model:

Project:

Rep:

Catalog Number:

Type:

Notes:



For more information on the quality and care TCP can deliver, call us at **800.324.1496** or visit tcp.com

325 Campus Dr. | Aurora, Ohio 44202 | P: 800.324.1496 | F: 877.487.0516