



Horticulture LED Vapor Tight Product Specifications



The TCP LED HVT Series Horticulture Vapor Tight features a lightweight 4FT design to support both the flowering and growth stages of plant development. This durable, 45° C rated fixture efficiently delivers up to 289 $\mu\text{mol/s}$ of photosynthetic photon flux while maximizing energy savings due to an efficacy of up to 2.71 $\mu\text{mol/J}$. The long 50,000 hour rated life significantly decreases maintenance, labor, and material costs over the life of the fixture.

Reasons to choose the LED HVT Series Vapor Tight from TCP

- High efficacy: up to 2.71 $\mu\text{mol/J}$
- Powerful 289 $\mu\text{mol/s}$ photosynthetic photon flux
- Instant-on, no warm up time for full light
- Long-life: 50,000 hours
- Durable light weight plastic housing
- IP65 rating prevents dirt and grime build up behind fixture lens
- Factory installed SmartStuff SmartBox option

Ideal Applications:

- T5 & T8 Grow Light Replacements
- High Pressure Sodium Replacements
- Metal Halide Replacements
- Vertical Farms
- Grow Tents
- Supplemental Growth Lighting

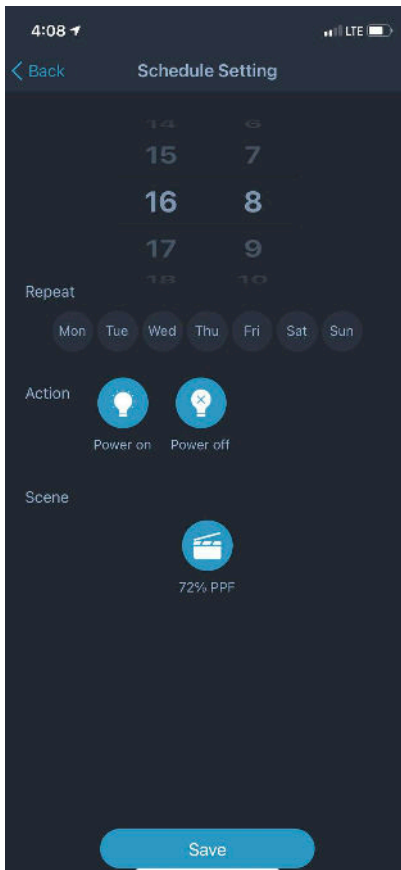
Specifications

Input Line Voltage 120-277 VAC
 Input Line Frequency (Hz)..... 50/60HZ
 Wattage (W)..... 100W
 Photosynthetic Photon Efficacy (PPF)..... $\leq 2.71 \mu\text{mol/J}$
 Rated Life..... 50,000 hours
 Minimum Starting Temperature -40°C (-40°F)
 Maximum Operating Temperature..... 45°C (113°F)
 Power Factor >0.90
 THD..... <20%
 Ratings cULus wet location rated, IP65
 Controls..... 0-10V dimming (standard)



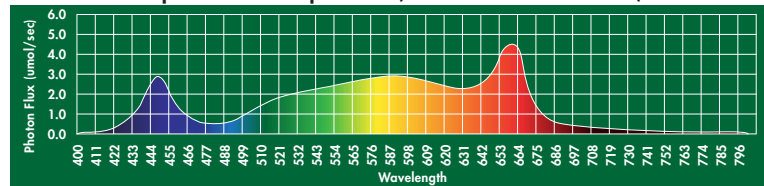
The Power of TCP SmartStuff

- Easily schedule day and night cycles.
- Save multiple scenes to your account to provide the optimum PPF levels for each plant type. No need to adjust your light mounting height.
- Factory installed, no need for expensive control wiring.
- Bluetooth controlled, no WiFi required.
- Safe and secure. Lights are locked into your account once programmed.



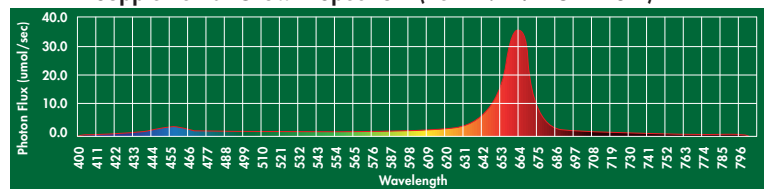
Available Spectrums:

All Purpose Growth Spectrum (Item #: HVT4UZDA3VG)



| ITEMS | MEASURED VALUE | UNIT |
|------------------|----------------|-------------------|
| PPF (400-700nm) | 191.18 | $\mu\text{mol/s}$ |
| PPF (400-500nm) | 46.16 | $\mu\text{mol/s}$ |
| PPF (500-600nm) | 65.61 | $\mu\text{mol/s}$ |
| PPF (600-700nm) | 80.52 | $\mu\text{mol/s}$ |
| PPE | 1.92 | $\mu\text{mol/J}$ |
| PF _{FR} | 3.10 | $\mu\text{mol/s}$ |

Supplemental Growth Spectrum (Item #: HVT4UZDA3FL)



| ITEMS | MEASURED VALUE | UNIT |
|------------------|----------------|-------------------|
| PPF (400-700nm) | 289.34 | $\mu\text{mol/s}$ |
| PPF (400-500nm) | 19.14 | $\mu\text{mol/s}$ |
| PPF (500-600nm) | 7.09 | $\mu\text{mol/s}$ |
| PPF (600-700nm) | 263.27 | $\mu\text{mol/s}$ |
| PPE | 2.71 | $\mu\text{mol/J}$ |
| PF _{FR} | 1.16 | $\mu\text{mol/s}$ |

Applications

The TCP LED HVT Series Horticulture Vapor Tight is a low cost option for mid-level to commercial horticulture applications. Benefits include high efficiency, up to 289 $\mu\text{mol/s}$ of photosynthetic photon flux, long-life, instant-on, and a simple 4FT vapor tight design that can be used in a variety of horticulture lighting applications.

Construction

- Durable, light weight plastic body
- Clear polycarbonate lens
- 4' length provides a large swathe of PPF

Electrical

- cULus wet location rated
- 0-10V dimming driver (standard)
- Easy-to-access wiring compartment
- System rated for long 50,000 hour life
- Efficiently delivers up to 2.71 $\mu\text{mol/J}$

Optics

- High impact, clear acrylic lens comes standard to protect the LEDs and minimize glare

| | |
|-------------|------|
| Item Number | |
| Notes | Type |



Listings

UL/cUL Listed
RoHS Compliant

Warranty

Five year limited warranty against defects in manufacturing.

Catalog Ordering Matrix Example: HVT4UZDA3VG

| HVT | 4 | U | ZD | A3 | | | |
|---------------------------------|---------|--------------|--------------------|----------------------|---|---------------------------|------------------------------|
| FAMILY | LENGTH | VOLTAGE | CONTROLS/DIMMING | WATTAGE ¹ | SPECTRUM | FACTORY INSTALLED OPTIONS | POWER CORD OPTION |
| HVT – Horticultural Vapor Tight | 4 – 4FT | U – 120-277V | ZD – 0-10V Dimming | A3 – 100W | VG – All Purpose Growth FL – Supplemental Growth | Blank - No SmartBox | Blank - No Cord, Direct Wire |

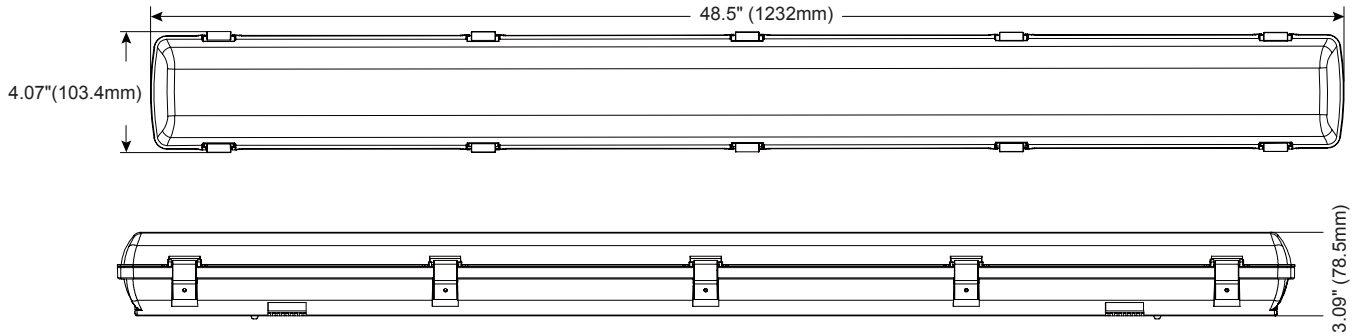
¹ Actual wattage may differ by +/- 10%

Field Installed Accessories

| ITEM NUMBER | DESCRIPTION |
|-------------|--|
| EZHANGER | 10FT Cable Hanging Kit (1 kit needed per unit) |

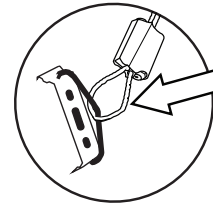
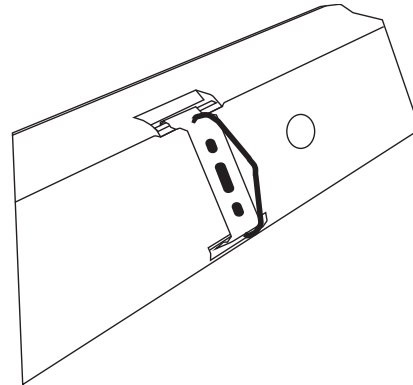
For the most up-to-date specs and warranty information, please visit www.tcp.com

Product Dimensions:



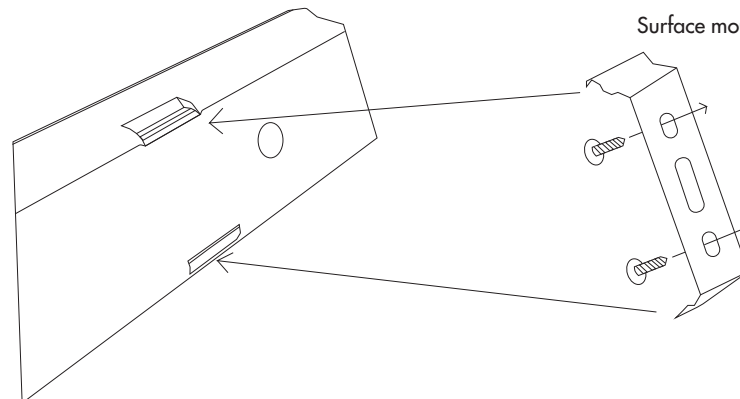
Product Installation:

Hang Installation:



EZHANGER add on accessory shown

Surface Mount Installation:



Surface mount clip included standard in box

TECHNOLOGY CAST IN A BEAUTIFUL LIGHT

For over 30 years, TCP has been designing, developing and delivering energy-efficient lighting into the market. Thanks to our cutting-edge technology and manufacturing expertise, we have shipped billions of high quality lighting products. With TCP, you can count on a lighting product that is designed to meet the needs of the market - that transforms your surroundings and envelopes you in warmth - lighting that generates beauty with every flip of the switch.

Sales:

Date:

Model:

Project:

Rep:

Catalog Number:

Type:

Notes:



For more information on the quality and care TCP can deliver, call us at **800.324.1496** or visit tcpi.com

325 Campus Dr. | Aurora, Ohio 44202 | P: 800.324.1496 | F: 877.487.0516