



Select Series LED Area Light

Product Specifications



TCP's Select Series LED Area Light features a modern, lightweight design with tool-less driver compartment clips resulting in an easier and faster installation. The durable, 3G tested, luminaire construction provides bright, uniform light while maintaining a zero uplight BUG rating, allowing for Dark Sky Conformance. An energy efficacy of up to 165 LPW combined with a 50,000 hour rated life significantly decreases energy, maintenance, labor and material costs over the life of the fixture – perfect for utility rebate programs.

Reasons to choose the Select Series LED Area Light from TCP

- Uses up to 80% less energy than traditional HID
- Long 50,000 hour rated life minimizes replacement and labor costs
- Factory installed 7-pin NEMA photocontrol receptacle with shorting cap included
- Easy-to-install mounting accessories available for various mounting options
- Mercury-free construction is great for all environments
- IP65 Rated – suitable for outdoor installation
- Lightweight and low Effective Projected Area (EPA) reduces stress on existing poles
- Dark Sky Conformance: Full cutoff fixture results in zero uplight emission
- Tool-free access to electrical compartment for easy field maintenance

Ideal Applications

- HID Shoebox Replacements
- Shopping Malls
- Parking Lots and Parking Garage Top Level
- Walkways
- Stadium Lots
- Dark Sky Applications
- Campuses
- Auto Dealerships



Select Series LED Area Light

Specifications

Input Line Voltage 120-277
 Input Line Frequency (Hz) 50/60HZ
 Lumens:
 SW2 17,000/25,500/34,000L
 SW4 34,000/41,000/51,000L
 Wattage:
 SW2 100/150/200W
 SW4 200/240/300W
 Lumens per Watt (LPW)..... 170 LPW
 Color Temperature (CCT) Selectable 3000K/4000K/5000K
 Rated Life 50,000 hours
 Controls NEMA 3-pin & 7-pin Photocontrol Receptacle options available
 Operating Temperature -40°C to 50°C
 CRI 80
 Power Factor >0.9
 Surge Protection 10KV (120-277V), 20KV (277-480V)
 THD <20%
 Ratings UL/cUL, IP65 Wet Location rated



Warranty

Five year limited warranty against defects in manufacturing

Replacement Strategy

TYPE	WATTAGE*	ENERGY SAVINGS (%)
TCP Area Light SW2 - 17,000 Lumens	100W	—
250W Metal Halide	250W	60%
400W Metal Halide	400W	75%
TCP Area Light SW2 - 22,500 Lumens	150W	—
250W Metal Halide	250W	40%
400W Metal Halide	400W	63%
TCP Area Light SW2/SW4 - 34,000 Lumens	200W	—
400W Metal Halide	400W	50%
1000W Metal Halide	1000W	80%
TCP Area Light SW4 - 41,000 Lumens	240W	—
400W Metal Halide	400W	40%
1000W Metal Halide	1000W	76%
TCP Area Light SW4 - 51,000 Lumens	300W	—
400W Metal Halide	400W	25%
1000W Metal Halide	1000W	70%

*Actual wattage may differ by +/- 5%, when operating between 120-277V +/- 10%.

NOTE: Charts show system lumens (delivered lumens), NOT straight lamp lumen output. This is calculated as follows:
System lumens = mean lumens x # lamps x ballast factor x luminaire efficiency factor



5 YEAR WARRANTY



Select Series LED Area Light

Applications

TCP's Select Series LED Area Lights feature a low profile, 3G vibration rated design that delivers a bright, uniform light while saving energy over traditional HID sources. Maintenance costs are virtually eliminated over their long-rated life. Applications include parking lots, walkways, auto dealerships, campuses and other public areas.

Construction

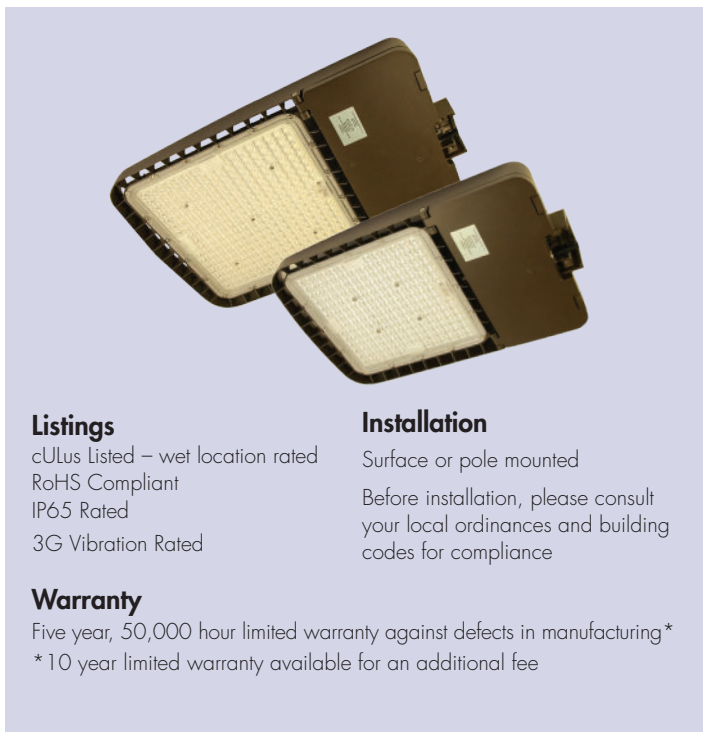
- Visually appealing slim, low-profile design
- Flat top design promotes self cleaning during rain events
- Heavy duty die-cast aluminum housing
- Durable UV stabilized powder coat finish
- Many optional mounting accessories available (see page 6)

Electrical

- Accepts 120-277V or 277-480V
- NEMA 7-pin photocontrol receptacle with shorting cap included
- System rated for long 50,000 hour rated life
- cULus wet location rated
- 10KV (120-277V) and 20KV (277-480V), surge suppression comes standard

Optics

- Durable acrylic optics resist yellowing
- Distribution Type III standard, Types IV and V optional
- Optics can be rotated to satisfy complex applications. See next page for more details



Listings

cULus Listed – wet location rated
RoHS Compliant
IP65 Rated
3G Vibration Rated

Installation

Surface or pole mounted
Before installation, please consult your local ordinances and building codes for compliance

Warranty

Five year, 50,000 hour limited warranty against defects in manufacturing*
* 10 year limited warranty available for an additional fee

Catalog Ordering Matrix

FAMILY	VOLTAGE	DIMMING	LUMENS PACKAGE ¹ (WATTAGE) ²	DISTRIBUTION	COLOR TEMPERATURE	COLOR ³	CONTROL OPTION
SELECTABLE WATTAGE WITH SELECTABLE COLOR							
SAL – Selectable Area Light	U – 120-277V	ZD – 0-10V Dimming	SW2 – 17,000/25,500/34,000L (100/150/200W) SW4 – 34,000/41,000/51,000L (200/240/300W)	T2 – Type 2 Distribution T3 – Type 3 Distribution T4 – Type 4 Distribution T5 – Type 5 Distribution	CCT – 3000/4000/5000K Selectable	Blank – Bronze WH – White BK – Black	Blank – No Added Control P3 – 3 Pin Photocontrol P7 – 7 Pin Photocontrol
SINGLE WATTAGE WITH SELECTABLE COLOR							
SAL – Selectable Area Light	U – 120-277V	ZD – 0-10V Dimming	100 – 100W (17,000L) 150 – 150W (25,500L) 200 – 200W (34,000L) 210 – 210W (35,500L) 240 – 240W (41,000L) 300 – 300W (51,000L)	T2 – Type 2 Distribution T3 – Type 3 Distribution T4 – Type 4 Distribution T5 – Type 5 Distribution	CCT – 3000/4000/5000K Selectable	Blank – Bronze WH – White BK – Black	Blank – No Added Control P3 – 3 Pin Photocontrol P7 – 7 Pin Photocontrol

¹ Approximate lumen output. Actual performance may vary based on CCT, options selected and end user application.

² Actual wattage may differ by +/-10%.

³ Bronze is the standard color, other colors are special order only. Extended lead times apply.

Specifications and dimensions subject to change without notice.

TCP®

325 Campus Dr. | Aurora, Ohio 44202 | P: 800-324-1496 | tcp.com



5 YEAR WARRANTY



Select Series LED Area Light

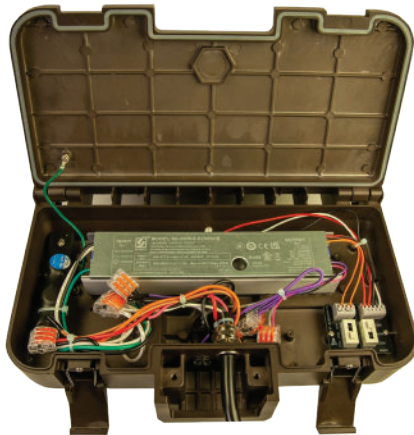
Field Installed Accessories

4INPOLEREDUCER	4" Pole Reducer
5INPOLEREDUCER	5" Pole Reducer
SALSHIELD1	Backlight Shield for SW2 lumen packages
SALSHIELD2	Backlight Shield for SW4 lumen packages
PC3UNDBU	3 Pin ON/OFF only photocontrol for use with 120-277V applications
PC7UDIMBU	7 Pin ON/OFF + daylight harvest photocontrol for use with 120-277V applications
PC3HNDBU	3 Pin ON/OFF only photocontrol for use with 347-480V applications
PC7HDIMBU	7 Pin ON/OFF + daylight harvest photocontrol for use with 347-480V applications

Area Light with Backlight Shield installed

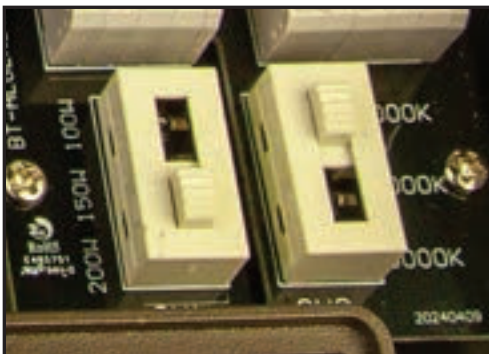


Tool-less Maintenance



The Area Light features clips on the rear of the fixture to close the electrical compartment. These clips open and close without the need for tools, making maintenance and repairs in the field simple.

Internal wattage and color temp switch.

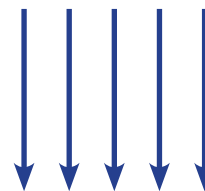


Dark Sky Conformance



The Area Light emits zero light above 90° and allows for conformance to the International Dark Sky Association's fully shielded light source requirement.

This does not include incidental light reflections.





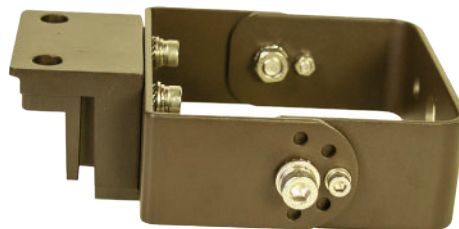
Select Series LED Area Light

Mounting Accessories



SALSLIPFITTER

This cast aluminum slipfitter mount secures the luminaire to horizontal arm or vertical tenon. This mount can also be applied directly to the wall.



SALTRUNNION

This trunnion mount accessory allows for wall mounting with a flexible angle adjustment.



Opposite view



SALRPOLEADAPTER

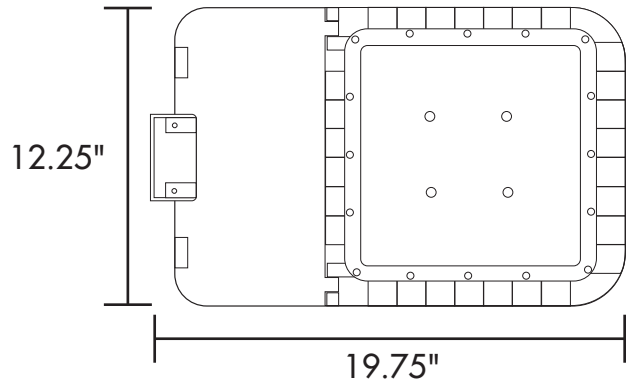
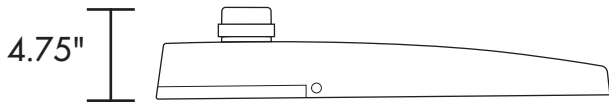
This round or square pole mount kit is designed to mount to the side of a round or square pole. This can be used with 4" or 5" square or round poles.



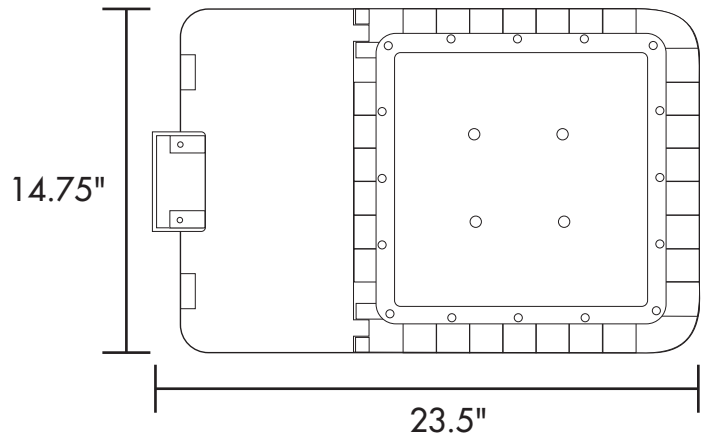
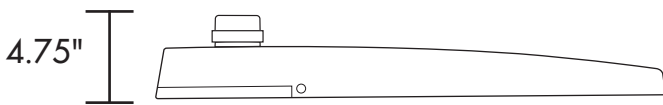
Select Series LED Area Light

Dimensions

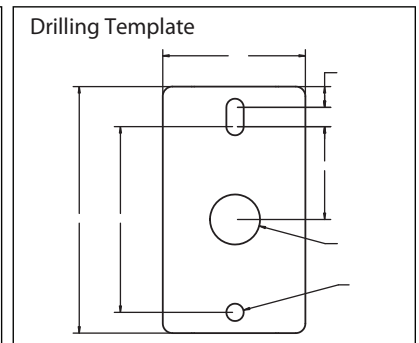
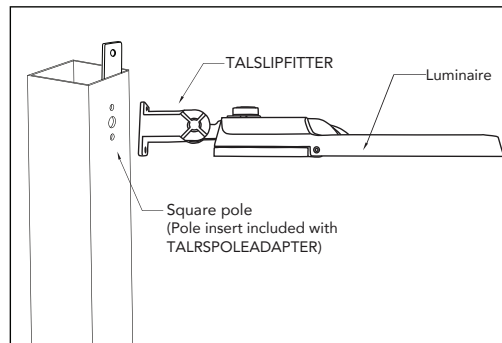
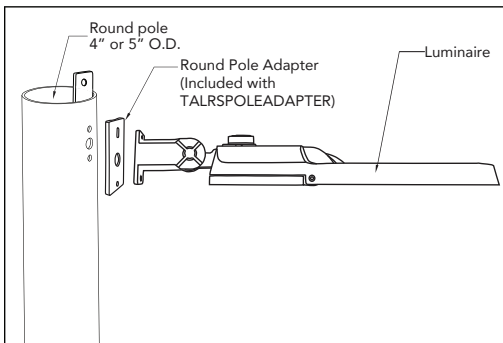
SALUZDSW2T3CCT



SALUZDSW4T3CCT



Mounting Diagrams



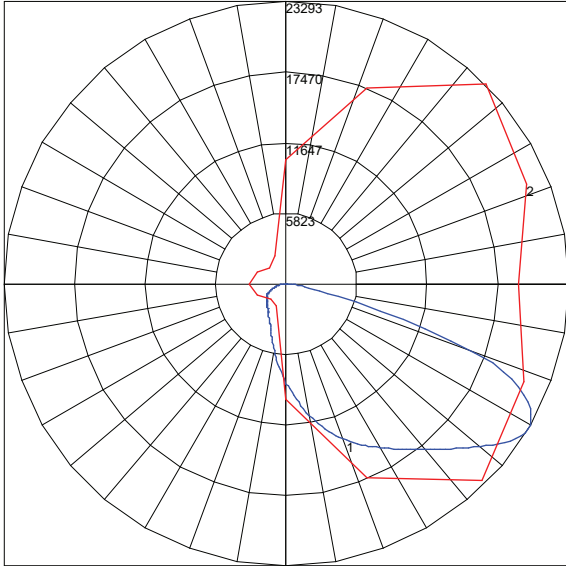


Select Series LED Area Light

Photometric Report

Photometric data taken from SALUZDSW4T3CC

Polar Graph

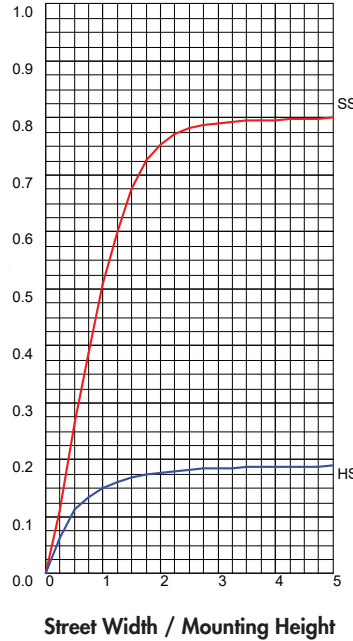


Maximum Candela = 23293 Located At Horizontal Angle = 45, Vertical Angle = 59
 # 1 - Vertical Plane Through Horizontal Angles (45 - 225) (Through Max. Cd.)
 # 2 - Horizontal Cone Through Vertical Angle (59) (Through Max. Cd.)

Characteristics

IES Classification	Type III
Longitudinal Classification	Short
Lumens Per Lamp	44033 (1 lamp)
Total Lamp Lumens	44033
Luminaire Lumens	43723
Downward Total Efficiency	99%
Total Luminaire Efficiency	99%
Luminaire Efficacy Rating (LER)	155
Total Luminaire Watts	281.687
Ballast Factor	1.00
Upward Waste Light Ratio	0.00
Maximum Candela	23293
Maximum Candela Angle	45H 59V
Maximum Candela (<90° Vertical)	23293
Maximum Candela Angle (<90° Vertical)	45H 59V
Maximum Candela at 90° Vertical	0 (0.0% Lamp Lumens)
Maximum Candela from 80° to 90° Vertical	1917.6 (4.4% Lamp Lumens)
Cutoff Classification (deprecated)	Full Cutoff

Coefficients of Utilization



FLUX DISTRIBUTION

	Lumens	Percent of Lamp
Downward Street Side	35334.3	80.2
Downward House Side	8388.9	19.1
Downward Total	43723.2	99.3
Upward Street Side	0.0	0.0
Upward House Side	0.0	0.0
Upward Total	0.0	0.0
Total Flux	43723.2	99.3

Luminaire Classification System (LCS)

	Lumens	% Lamp	% Luminaire
FL - Front-Low (0-30)	5432.1	12.3	12.4
FM - Front-Medium (30-60)	20539.3	46.6	47.0
FH Front-Height (60-80)	9162.4	20.8	21.0
FVH Front-Very High (80-90)	200.5	0.5	0.5
BL - Back-Low (0-30)	2121.0	4.8	4.9
BM - Back-Medium (30-60)	4232.3	9.6	9.7
BH - Back-High (60-80)	1914.8	4.3	4.4
BVH - Back-Very High (80-90)	120.8	0.3	0.3
UL - Uplight-Low (90-100)	0.0	0.0	0.0
UL - Uplight-High (100-180)	0.0	0.0	0.0
Total	43723.2	99.2	100.00
BUG Rating	B3-U0-G4		

TECHNOLOGY CAST IN A BEAUTIFUL LIGHT

For over 30 years, TCP has been designing, developing and delivering energy-efficient lighting into the market. Thanks to our cutting-edge technology and manufacturing expertise, we have shipped billions of high quality lighting products. With TCP, you can count on a lighting product that is designed to meet the needs of the market - that transforms your surroundings and envelopes you in warmth - lighting that generates beauty with every flip of the switch.

Sales:

Date:

Model:

Project:

Rep:

Catalog Number:

Type:

Notes:



For more information on the quality and care TCP can deliver, call us at **800.324.1496** or visit tcp.com

325 Campus Dr. | Aurora, Ohio 44202 | P: 800.324.1496 | F: 877.487.0516