



# LED Universal Combo Emergency Exit Sign for Wet Locations

## Product Specifications



The LED Universal Combo Emergency Exit Sign for wet locations provides a single solution for exit identification and illumination. Available with vivid red/green lettering, the sign can be easily mounted from ceilings or walls to improve building safety. All models incorporate a battery backup, which keeps the sign illuminated for at least 90 minutes after power is lost.

## Reasons to Choose LED Universal Combo Emergency Exit Sign for Wet Locations from TCP

- Long-lasting, ultra-bright white LED lamp heads and red or green LED lettering
- Battery backup features 6V long life, rechargeable NiCd battery
- UL listed for wet locations
- Transfer switch automatically connects to internal battery for minimum 90-minute emergency illumination

## Ideal Applications

- Retail
- Schools
- Hospitals
- Industrial

## Construction

- 5VA flame retardant, UV stabilized polycarbonate finish
- Knockouts provided for conduit feed applications
- Corrosion resistant enclosure with engineering grade silicone gasket
- EZ snap-out Chevron directional indicators



## Specifications

Wattage..... 1.2W per lamp head  
 Voltage..... Dual 120/277V  
 Battery ..... 6V NiCd  
 Min Start Temp..... -4°F (-20°C)  
 Max Oper Temp ..... 122°F (50°C)  
 Warranty ..... Five-year warranty on electronics and housing, battery prorated for five years

## Electrical

- Dual 120/277 voltage
- 6V long life, maintenance-free, rechargeable NiCd battery
- Internal, solid-state transfer switch automatically connects to internal battery to LED board for minimum 90-minute emergency illumination
- Fully automatic, solid-state, two rate charger initiates battery charging to recharge a discharged battery in 24 hours

## Optics

- 1.2W per head
- Long-life, energy-efficient red or green LED illumination

## Installation

- Universal knockout pattern on backplate for wall mount
- Suitable for wall or ceiling mount



### Listings

UL Listed for Wet Locations, Certified to CEC under Title 20 Regulations, UL924, NFPA 101 Life Safety Code, NEC, OSHA, Local and State Codes

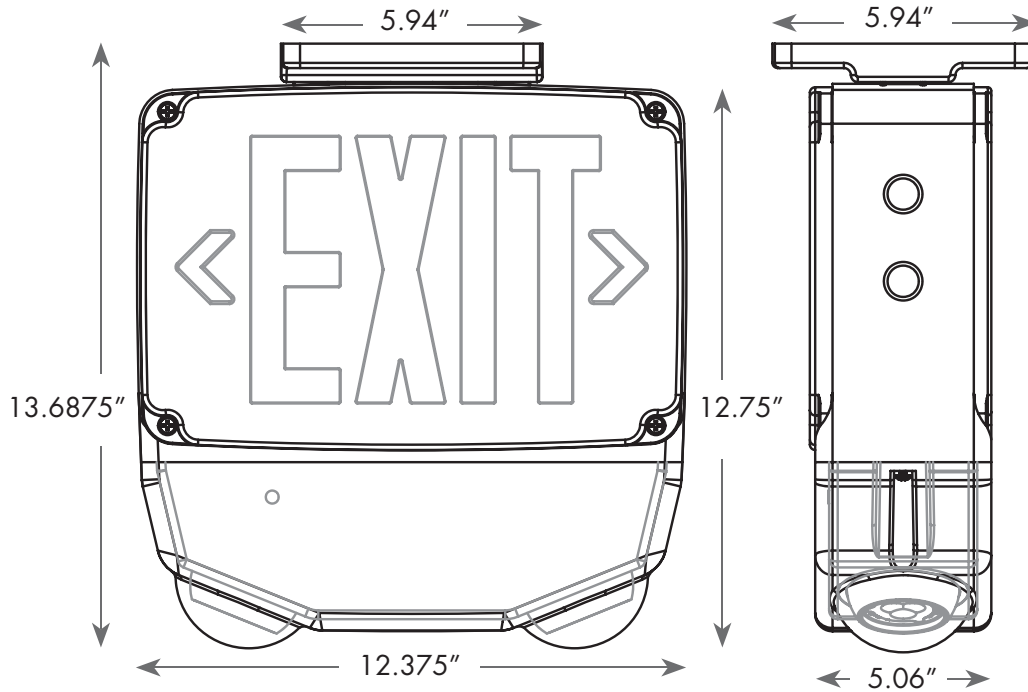
### Warranty

Five-year warranty on electronics and housing, battery prorated for five years

## Catalog Ordering Matrix: CESD6VWHRGWL

FAMILY	VOLTAGE	BATTERY	HOUSING	LETTERING	FEATURES
CES - Combo Exit/Emergency Sign	D - Dual 120/277	6V - 6V Nickel Cadmium Battery	WH - White	RG - Red/Green Selectable	WL - Wet Location

## Dimensions



## Center-to-Center Spacing Guidelines



1	0.30	0.43	0.59	0.76	0.98	1.22	1.37	1.37	1.21	0.97	0.74	0.70	0.75	0.92	1.09	1.13	1.04	0.89	0.68	0.50	0.34	0.24	0.20	0.14	
2	0.36	0.50	0.77	1.02	1.26	1.51	1.69	1.60	1.43	1.15	0.89	0.83	0.93	1.20	1.51	1.67	1.57	1.33	1.03	0.71	0.52	0.35	0.24	0.18	
3	0.43	0.60	0.82	1.20	1.51	1.77	1.90	1.84	1.53	1.20	0.95	0.89	1.03	1.44	1.78	1.93	1.84	1.50	1.15	0.78	0.55	0.38	0.27	0.20	
4	0.42	0.60	0.85	1.13	1.44	1.70	1.82	1.70	1.38	1.12	0.89	0.87	1.05	1.50	1.83	2.09	2.00	1.68	1.26	0.94	0.66	0.40	0.31	0.23	
5	0.44	0.61	0.80	1.06	1.29	1.45	1.50	1.40	1.12	0.96	0.78	0.78	0.97	1.34	1.70	1.93	1.87	1.61	1.25	0.91	0.67	0.48	0.32	0.23	
6	0.37	0.54	0.69	0.86	1.05	1.10	1.12	1.04	0.87	0.70	0.62	0.64	0.80	1.06	1.34	1.58	1.55	1.37	1.12	0.90	0.68	0.50	0.34	0.24	
	12	11	10	9	8	7	6	5	4	3	2	1	0	1	2	3	4	5	6	7	8	9	10	11	12

Meets NFPA 101 Requirements for 24'+ center-to-center - 6'+ path of egress 0' from wall - 9' mounting height.

# TECHNOLOGY CAST IN A BEAUTIFUL LIGHT

For over 30 years, TCP has been designing, developing and delivering energy-efficient lighting into the market. Thanks to our cutting-edge technology and manufacturing expertise, we have shipped billions of high quality lighting products. With TCP, you can count on a lighting product that is designed to meet the needs of the market, that transforms your surroundings and envelopes you in warmth. Lighting that generates beauty with every flip of the switch.