



Select Series Modern Wrap Light

Product Specifications



The TCP Select Series Modern Wrap Light offers superior light output in a maintenance-free fixture. With a sleek, low profile design, and a glare free, impact resistant frosted lens, you can install these fixtures and relax. Installation is quick and easy, and provides for easy with options for daisy chaining units end to end.

Reasons to choose the Select Series Modern Wrap Light from TCP

- Energy efficient LED luminaire
- Smooth, uniform dimming (0-10V)
- Instant on, no warm up time for full light
- Long-life: 50,000 hours
- Replaces traditional linear fluorescent systems
- Heavy-duty steel housing

Ideal Applications

- Warehouses & Distribution Centers
- Commercial Facilities
- Aisles (Open & Stock)
- Restrooms
- Corridors
- Stairwells
- Hallways





Select Series Modern Wrap Light

Applications

TCP's Select Series Modern Wrap Light offers a versatile solution for both new construction and replacing old linear fluorescent systems. With its durable construction, superior lighting output, and long lifespan, it is perfect for a wide variety of commercial applications.

Construction

- Housing: durable steel construction
- Finish: powder coated, post-painted white
- Easy surface mount or suspended

Electrical

- Universal 120-277V
- cULus damp location rated
- 0-10V dimming driver (standard)
- 115 lumens per watt
- Easy-to-access wiring compartment
- System rated for long 50,000 hour life

Optics

- High impact, acrylic lens comes standard to protect the LEDs and minimize glare
- Delivers bright, white light and excellent uniformity



Listings

UL and cUL listed
DLC 5.1 Standard
RoHS Compliant

Warranty

Five year limited warranty against defects in manufacturing.

Catalog Ordering Matrix

FAMILY	SIZE	VOLTAGE	DIMMING	WATTAGE LUMEN PACKAGE	COLOR TEMPERATURE
LOW PROFILE 5.3" MODEL					
MWR – Modern Wrap Light	4 – 4 Foot	U – 120V-277V	ZD – 0-10V Dimming	SW4 – 48/40/32W (5520/4600/3680L)	CCT – 35K/40K/50K Color Selectable

¹ Approximate lumen output. Actual performance may vary based on CCT, options selected and end user application.

² Actual wattage may differ by +/- 10%.

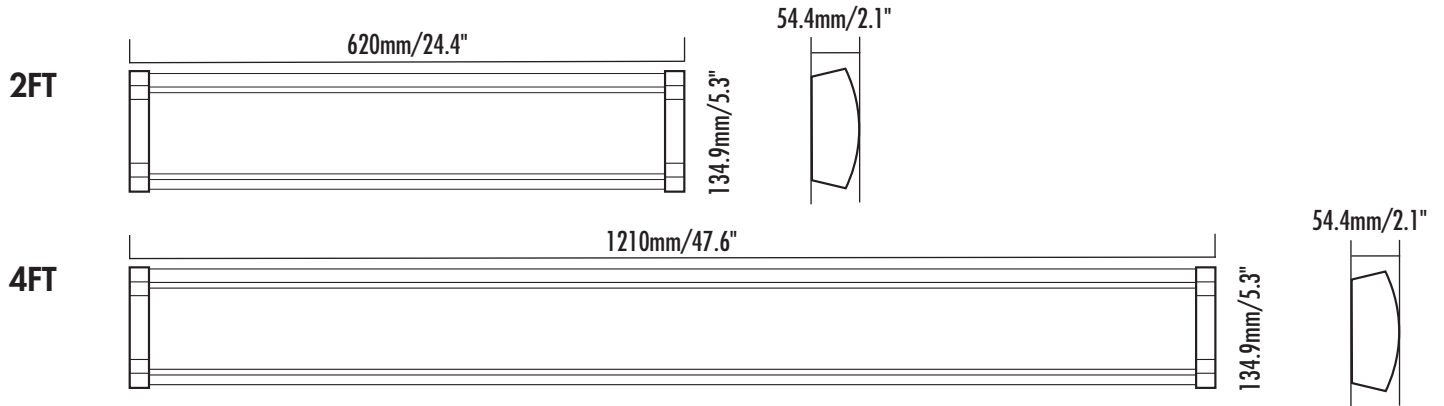
For the most up-to-date specs and warranty information, please visit www.tcp.com





Select Series Modern Wrap Light

Dimensions and Mounting Data



For the most up-to-date specs and warranty information, please visit www.tcpi.com

TCP®
325 Campus Dr. | Aurora, Ohio 44202 | P: 800-324-1496 | tcpi.com

Not all versions of this product are qualified on the DLC QPL. To view our DLC qualified products, please consult the DLC Qualified Products List at www.designlights.org/qpl.



RoHS
COMPLIANT

5 YEAR
WARRANTY



Select Series Modern Wrap Light

Photometric Report...Coming Soon

For the most up-to-date specs and warranty information, please visit www.tcp.com

TCP®
325 Campus Dr. | Aurora, Ohio 44202 | P: 800-324-1496 | tcp.com
©TCP JAN 2025/WF558650

Not all versions of this product are qualified on the DLC QPL. To view our DLC qualified products, please consult the DLC Qualified Products List at www.designlights.org/qpl.



RoHS
COMPLIANT

5 YEAR
WARRANTY

TECHNOLOGY CAST IN A BEAUTIFUL LIGHT

For over 30 years, TCP has been designing, developing and delivering energy-efficient lighting into the market. Thanks to our cutting-edge technology and manufacturing expertise, we have shipped billions of high quality lighting products. With TCP, you can count on a lighting product that is designed to meet the needs of the market - that transforms your surroundings and envelopes you in warmth - lighting that generates beauty with every flip of the switch.

Sales:

Date:

Model:

Project:

Rep:

Catalog Number:

Type:

Notes:



For more information on the quality and care TCP can deliver, call us at **800.324.1496** or visit tcp.com

325 Campus Dr. | Aurora, Ohio 44202 | P: 800.324.1496 | F: 877.487.0516