



Select Series LED Vapor Tight

Product Specifications



The TCP Select Series LED Vapor Tight Luminaire is perfect for your wet location low bay needs. Providing ample light at a low energy cost, the Vapor Tight is ready for the worst weather. With a plastic housing and included mounting hardware, the TCP Select Series LED Vapor Tight is durable and quick to install.

Reasons to choose the Select Series LED Vapor Tight from TCP

- Durable plastic housing
- Frosted PC lens for glare control
- Wet location rated
- Long life: 50,000 hours
- Operating temperature: -11°F to 122°F
- Wide beam spread

Ideal Applications

- Parking Garages
- Car Washes
- Cold Storage
- Garden Centers
- Corridors
- Stairwells
- Hallways





Select Series LED Vapor Tight

Specifications

Input Line Voltage	120-277 VAC
Input Line Frequency (Hz)	50/60Hz
Lumens	
SW2 Package:	
2 ft.....	2500/3000/4200L
4 ft.....	2500/3000/4200L
8 ft.....	4200/5200/6000L
SW4 Package:	
4 ft.....	4200/5200/6000L
SW5 Package:	
8 ft.....	6000/7200/8500L
Wattage	
SW2 Package:	
2 ft.....	18/22/32W
4 ft.....	18/22/32W
8 ft.....	32/40/46W
SW4 Package:	
4 ft.....	32/40/46W
SW5 Package:	
8 ft.....	45/55/65W
Lumens per Watt (LPW).....	>130 LPW
Color Temperature (CCT)	35/40/50K Selectable
Controls.....	Occupancy sensor w/ daylight harvesting (optional)
Dimming.....	0-10V (standard)
Rated Life.....	>50,000 hours

Item Number	
Notes	Type



Listings

UL and cUL listed
RoHS Compliant
IP65

Warranty

Five year limited warranty against defects in manufacturing.

Operating Temperature.....	-24°C to 50°C
CRI.....	80+
Power Factor	>0.9
THD.....	<20%

Features

- Durable lens and housing
- -24°C (-11°F) to 50°C (122°F) operating range
- Stainless steel clips allow for easy lens removal

Catalog Ordering Matrix Example: VTF2UZDSW2CCT

FAMILY	SIZE	VOLTAGE	DIMMING	LUMEN PACKAGE ¹	WATTAGE ²	COLOR TEMPERATURE	FACTORY INSTALLED OPTIONS	OPTIONAL SENSOR CONTROLS
SELECTABLE WATTAGE WITH SELECTABLE CCT								
VTF – Vapor Tight Fixture	2 – 2 feet	U – 120V-277V	ZD – 0-10V Dimming	SW2 – 2500/3000/4200L	18/22/32W	CCT – 35K/40K/50K Selectable Color	BLANK – No Controls EB – Battery Backup	BLANK – No Controls LST1 – PIR Motion Sensor LST1D – PIR/Daylight Sensor IS – Integrated Sensor SM – SmartBox Microwave Sensor
	4 – 4 feet			SW2 – 2500/3000/4200L SW4 – 4200/5200/6000L	18/22/32W 32/40/46W			
	8 – 8 foot			SW2 – 4200/5200/6000L SW5 – 6000/7200/8500L	32/40/46W 45/55/65W			
FIXED WATTAGE WITH SELECTABLE CCT								
VTF – Vapor Tight Fixture	2 – 2 feet	U – 120V-277V	ZD – 0-10V Dimming	18 – 2500L 25 – 3000L	18W 25W	CCT – 35K/40K/50K Selectable Color	BLANK – No Controls EB – Battery Backup	BLANK – No Controls IS – Integrated Sensor SM – SmartBox Microwave Sensor
	4 – 4 feet			18 – 2500L 25 – 3000L 32 – 4200L 40 – 5200L	18W 25W 32W 40W			
	8 – 8 foot			32 – 4200L 40 – 5200L 45 – 6000L 55 – 7200L 65 – 8500L	32W 40W 45W 55W 65W			

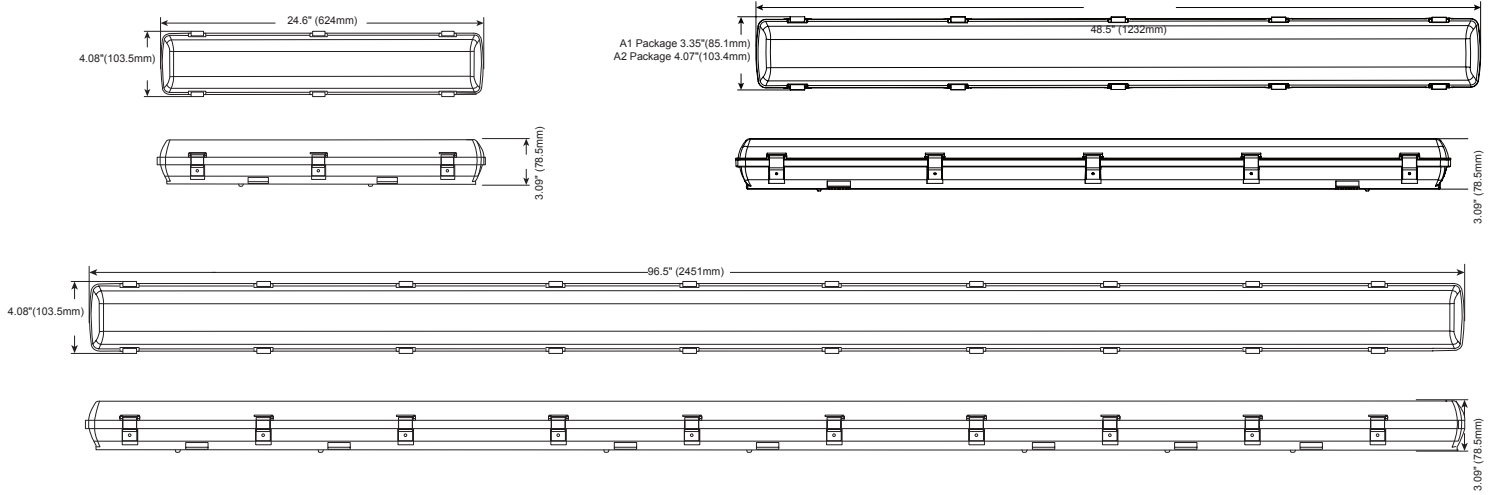
¹ Approximate lumen output. Actual performance may vary based on CCT, options selected and end user application.
² Actual wattage may differ by +/- 10%.





Select Series LED Vapor Tight

Dimensions



Spacing Criterion (0-180): 1.22
Spacing Criterion (90-270): 1.22



TECHNOLOGY CAST IN A BEAUTIFUL LIGHT

For over 30 years, TCP has been designing, developing and delivering energy-efficient lighting into the market. Thanks to our cutting-edge technology and manufacturing expertise, we have shipped billions of high quality lighting products. With TCP, you can count on a lighting product that is designed to meet the needs of the market - that transforms your surroundings and envelopes you in warmth - lighting that generates beauty with every flip of the switch.

Sales:

Date:

Model:

Project:

Rep:

Catalog Number:

Type:

Notes:



For more information on the quality and care TCP can deliver, call us at **800.324.1496** or visit tcp.com

325 Campus Dr. | Aurora, Ohio 44202 | P: 800.324.1496 | F: 877.487.0516