

Description

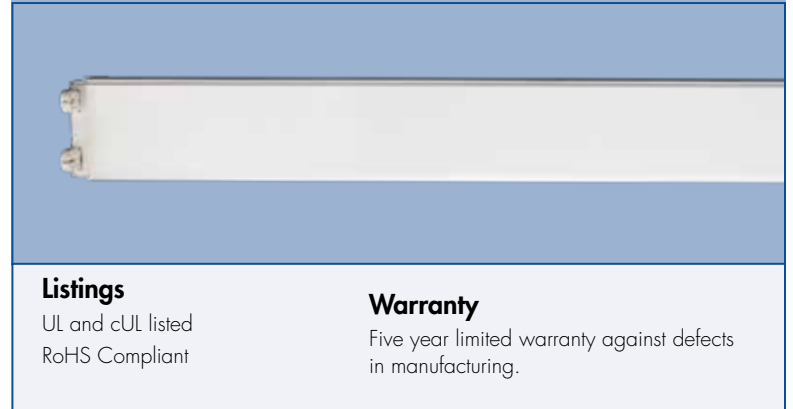
The LED T8-Ready Luminaires feature the look of classic fluorescent luminaires while operating modern single- or double-ended LED T8 Type B lamps. The easy-to-install LED T8-Ready General Purpose Strips maintain that traditional look while operating one or two lamps. They are suitable for a wide range of indoor applications including workshops, hallways, laundry rooms and industrial task lighting.

Construction

- Heavy gauge steel housing
- Durable white powder coat
- High-quality pre-wired lampholders
- Easy-to-install design

Electrical

- cULus damp location rated
- Sockets are pre-wired for Type B LED lamps

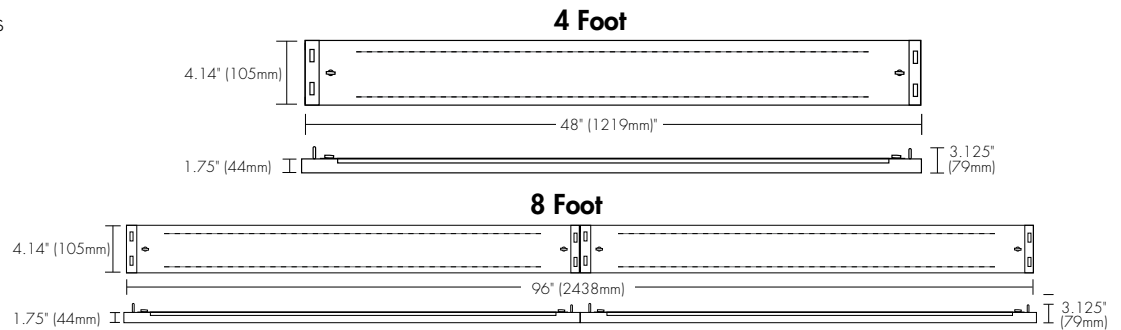


Listings

UL and cUL listed
RoHS Compliant

Warranty

Five year limited warranty against defects in manufacturing.



ITEM	DESCRIPTION	LAMP TYPE	LAMP LENGTH	# LAMPS (NOT INCLUDED)	LUMINAIRE LENGTH	Option: ¹
LED T8-Ready General Purpose Strip						
GPS4WA1LT8B1	4FT 1L Single End T8 Bypass Rdy	Single End Type B T8	4FT	1	4FT	LS1
GPS4WA1LT8B2	4FT 1L Double End T8 Bypass Rdy	Double End Type B T8	4FT	1	4FT	LS1
GPS4WA2LT8B1	4FT 2L Single End T8 Bypass Rdy	Single End Type B T8	4FT	2	4FT	LS1
GPS4WA2LT8B2	4FT 2L Double End T8 Bypass Rdy	Double End Type B T8	4FT	2	4FT	LS1
GPS8WA2LT8B1	8FT 2L Single End T8 Bypass Rdy	Single End Type B T8	4FT	2	8FT	LS1
GPS8WA2LT8B2	8FT 2L Double End T8 Bypass Rdy	Double End Type B T8	4FT	2	8FT	LS1
GPS8WA4LT8B1	8FT 4L Single End T8 Bypass Rdy	Single End Type B T8	4FT	4	8FT	LS1
GPS8WA4LT8B2	8FT 4L Double End T8 Bypass Rdy	Double End Type B T8	4FT	4	8FT	LS1
GPS8WA2L8T8B2	8FT 2L Fa8 Socket DE Bypass Rdy	Double End Type B T8	8FT	2	8FT	LS1

¹Add "LS1" to the end of the part number for factory installation

ACCESSORIES (Ordered Separately; Sensors can be installed at the factory)

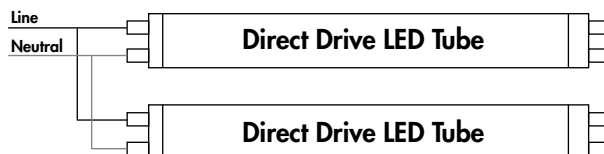
LS1 = Leviton PIR Occupancy Sensor w/bracket and interchangeable lenses, 40' or less, 120V, 277V or 347V

GPWG = Wire guard for T8 ready strip

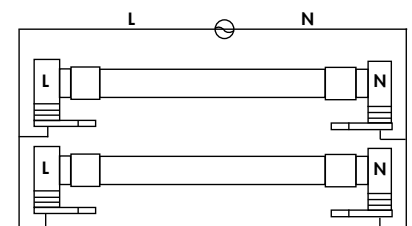
YTG HANGER = 15ft Y-Cable Toggle Hanging Kit

Wiring Diagrams

Single Ended



Double Ended



For the most up-to-date specs and warranty information, please visit www.tcpi.com

TCP®

325 Campus Dr. | Aurora, Ohio 44202 | P: 800-324-1496 | tcpi.com

©TCP SEP 2023 / WF207813

US LISTED

5 YEAR WARRANTY

TECHNOLOGY CAST IN A BEAUTIFUL LIGHT

For over 30 years, TCP has been designing, developing and delivering energy-efficient lighting into the market. Thanks to our cutting-edge technology and manufacturing expertise, we have shipped billions of high quality lighting products. With TCP, you can count on a lighting product that is designed to meet the needs of the market - that transforms your surroundings and envelopes you in warmth - lighting that generates beauty with every flip of the switch.

Sales:

Date:

Model:

Project:

Rep:

Catalog Number:

Type:

Notes:



For more information on the quality and care TCP can deliver, call us at **800.324.1496** or visit tcp.com

325 Campus Dr. | Aurora, Ohio 44202 | P: 800.324.1496 | F: 877.487.0516