



Classic Tulip Bath Vanity

Product Specifications



TCP's LED Classic Tulip Bath Vanity provides long-lasting illumination for both residential and commercial applications. The high-quality steel vanity features a brushed nickel finish and attractive glass tulip shades. This "bulb-in-a-box" solution comes prepackaged with LED bulbs for ease of installation and a guarantee of high CRI, flicker-free LED performance.

Reasons to Choose the Classic Tulip Bath Vanity from TCP

- LED bulbs included (A19, E26)
- Three color temperatures available: 2700K, 3000K or 4100K
- High 90 CRI value provides excellent color rendering results and consistency
- Triac dimming
- Brushed nickel powder coated steel and frosted glass tulip shades
- ETL listed for damp locations (indoor)
- Five-year limited warranty
- Available in 2-light, 3-light and 4-light versions

Ideal Applications

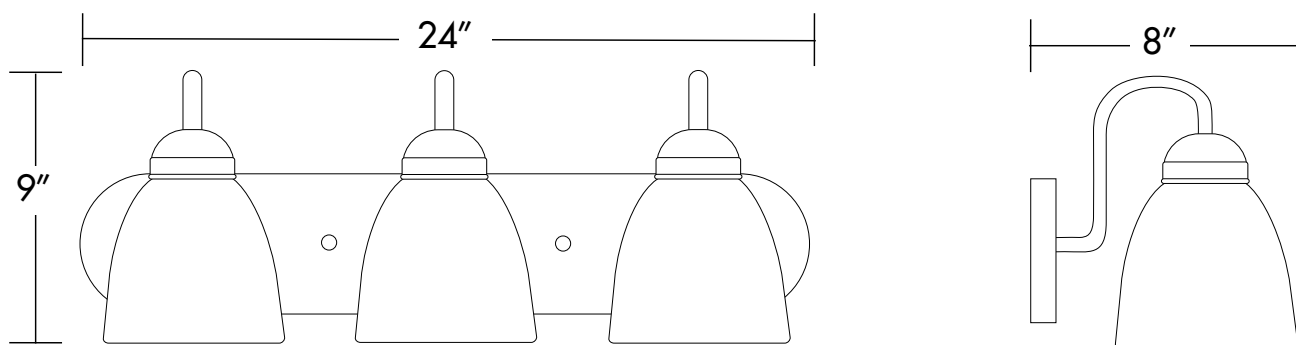
- Residential
- Hospitality
- New construction
- Remodeling



Specifications

| | | | |
|----------------------------|------------|-------------------------------------|-----------------------------|
| Input Line Voltage | 120V | Color | 2700K, 3000K, 4100K |
| Input Line Frequency | 60Hz | Lamp Life (hours) | 25,000 |
| Wattage (W) | 6W | Minimum Starting Temperature | -22°C (-8°F) |
| Lumens (L) | 475L, 525L | Maximum Operating Temperature | 45°C (113°F) |
| LPW | 79, 87.5 | Environment | Suitable for damp locations |
| Wattage equivalent | 40W | Certification | cETLus |
| CRI | 90 | Warranty | 5-year limited |

Dimensions



Ordering Information

| ITEM # | DESCRIPTION | DIMENSIONS | COLOR | TITLE 20 | JA8 |
|-------------|---|---------------|-------|----------|-----|
| CLBVT2BN27K | Classic Tulip Bath Vanity 2-Lamp Brushed Nickel 27K | 14" x 9" x 8" | 2700K | Y | Y |
| CLBVT2BN30K | Classic Tulip Bath Vanity 2-Lamp Brushed Nickel 30K | 14" x 9" x 8" | 3000K | Y | Y |
| CLBVT2BN41K | Classic Tulip Bath Vanity 2-Lamp Brushed Nickel 41K | 14" x 9" x 8" | 4100K | Y | N |
| CLBVT3BN27K | Classic Tulip Bath Vanity 3-Lamp Brushed Nickel 27K | 24" x 9" x 8" | 2700K | Y | Y |
| CLBVT3BN30K | Classic Tulip Bath Vanity 3-Lamp Brushed Nickel 30K | 24" x 9" x 8" | 3000K | Y | Y |
| CLBVT3BN41K | Classic Tulip Bath Vanity 3-Lamp Brushed Nickel 41K | 24" x 9" x 8" | 4100K | Y | N |
| CLBVT4BN27K | Classic Tulip Bath Vanity 4-Lamp Brushed Nickel 27K | 30" x 9" x 8" | 2700K | Y | Y |
| CLBVT4BN30K | Classic Tulip Bath Vanity 4-Lamp Brushed Nickel 30K | 30" x 9" x 8" | 3000K | Y | Y |
| CLBVT4BN41K | Classic Tulip Bath Vanity 4-Lamp Brushed Nickel 41K | 30" x 9" x 8" | 4100K | Y | N |

TECHNOLOGY CAST IN A BEAUTIFUL LIGHT

For over 30 years, TCP has been designing, developing and delivering energy-efficient lighting into the market. Thanks to our cutting-edge technology and manufacturing expertise, we have shipped billions of high quality lighting products. With TCP, you can count on a lighting product that is designed to meet the needs of the market - that transforms your surroundings and envelopes you in warmth - lighting that generates beauty with every flip of the switch.

Sales:

Date:

Model:

Project:

Rep:

Catalog Number:

Type:

Notes:



For more information on the quality and care TCP can deliver, call us at **800.324.1496** or visit tcp.com

325 Campus Dr. | Aurora, Ohio 44202 | P: 800.324.1496 | F: 877.487.0516