



Traditional Color Selectable Cylinder Half Sconce

Product Specifications



TCP's Traditional Color Selectable Cylinder Half Sconce provides long-lasting illumination for both residential and commercial applications. Durable construction includes powder coated steel and acrylic lens. The 15-watt sconce is rated to last 50,000 hours with no bulbs to replace!

Reasons to Choose the Traditional Color Selectable Cylinder Half Sconce from TCP

- Color selectable: 3000K, 4000K, 5000K
- Brushed nickel powder coated steel and frosted white acrylic lens
- Integrated LED Design
- Three-year limited warranty
- Dimmable
- 50,000 hour rated life with no bulbs to replace

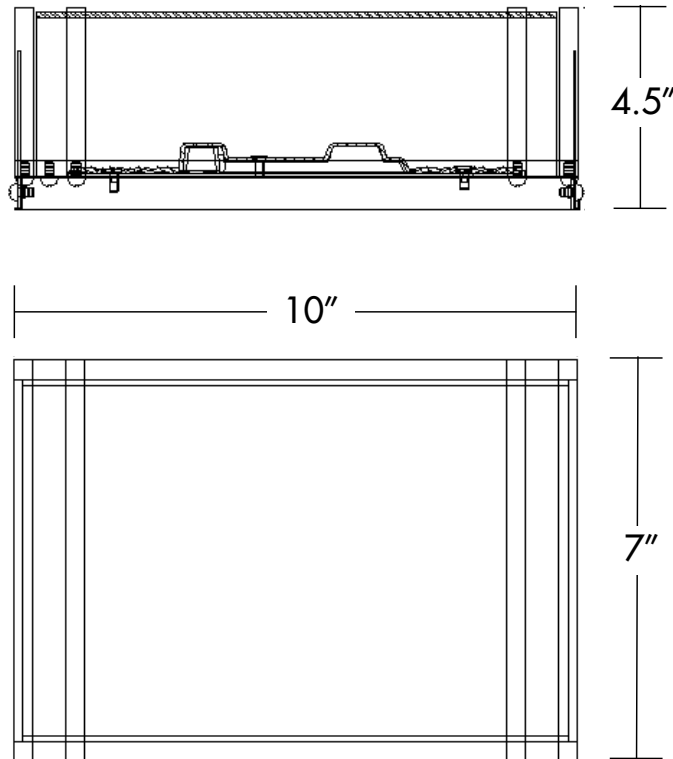
Ideal Applications

- Residential
- Hospitality
- New construction
- Remodeling

Specifications

Input Line Voltage	120V	Color	Selectable 3000K, 4000K, 5000K
Input Line Frequency	60Hz	Lamp Life (hours)	50,000
Wattage (W)	15W	Minimum Starting Temperature	-20°C (-4°F)
Lumens (L)	1050L	Maximum Operating Temperature	50°C (122°F)
LPW	70	Certification	cETLus
CRI	80	Warranty	3-year limited

Dimensions



Ordering Information

ITEM #	DESCRIPTION	COLOR TEMP
THSC1CBNDCCT	Traditional Color Selectable Cylinder Half Sconce BN Dim CCT	30K/40K/50K

TECHNOLOGY CAST IN A BEAUTIFUL LIGHT

For over 20 years, TCP has been designing, developing and delivering energy-efficient lighting into the market. Thanks to our cutting-edge technology and manufacturing expertise, we have shipped billions of high quality lighting products. With TCP, you can count on a lighting product that is designed to meet the needs of the market - that transforms your surroundings and envelopes you in warmth - lighting that generates beauty with every flip of the switch.

Sales:

Date:

Model:

Project:

Rep:

Catalog Number:

Type:

Notes:



For more information on the quality and care TCP can deliver, call us at **800.324.1496** or visit tcp.com

325 Campus Dr. | Aurora, Ohio 44202 | P: 800.324.1496 | F: 877.487.0516