



Outdoor 11" Round CCT Selectable Flush Mount

Product Specifications



The Outdoor 11" Round CCT Selectable Flush Mount provides long-lasting illumination for both residential and commercial applications such as walkways, entrances, stairwells, patios, driveways and storage areas. Choose 3000K, 4000K or 5000K color temperature to provide the correct lighting for any environment.

Reasons to choose the Outdoor 11" Round CCT Selectable Flush Mount from TCP

- Sleek design fits many different environments
- Energy-efficient integrated LED provides instant energy savings
- Color selectable LED means the fixture can be used in a wide variety of locations
- Perfect for residential or commercial use
- 50,000 hour rated life minimizes replacement and maintenance costs
- Three-year limited warranty
- UL rated for wet locations

Ideal Applications

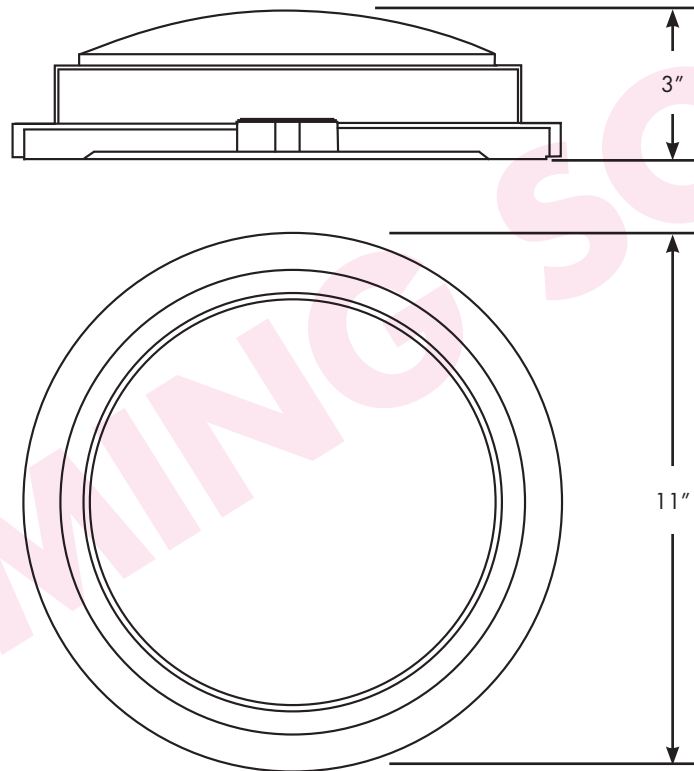
- Residential
- Hospitality
- Commercial
- Retail
- New construction
- Remodeling



Specifications

Input Line Voltage	120V	Power Factor	>0.9
Input Line Frequency.....	60Hz	Lamp Life (hours).....	50,000
Wattage.....	24W	Minimum Starting Temperature	-20°C (-4°F)
Lumens	1680L	Maximum Operating Temperature.....	50°C (122°F)
Lumens per Watt	70LPW	Environment.....	Suitable for wet locations
CRI	80	Warranty	3 year limited warranty
Color Temperature	3000K/4000K/5000K		

Dimensions



Ordering Information

ITEM #	DESCRIPTION	FIXTURE COLOR	WATTAGE	LUMENS	ENERGY STAR
OFMRD11BNDCCCT	OUTDOOR FLUSH MOUNT ROUND 11" BN DIM CCT	Brushed Nickel	24	1680	Y
OFMRD11ORBDCCT	OUTDOOR FLUSH MOUNT ROUND 11" ORB DIM CCT	Oil-Rubbed Bronze	24	1680	Y