



# Color Selectable Cloud Flush Mount

## Product Specifications



TCP's Color Selectable Cloud Flush Mounts provide a contemporary aesthetic for both residential and commercial applications. Available in a variety of shapes and sizes, the sleek, low-profile flush mounts feature a durable powder-coated steel base and frosted acrylic lens. The flush mounts feature integrated, color selectable LEDs and offer a rated lifetime of 50,000 hours.

### Reasons to Choose the Color Selectable Cloud Flush Mount from TCP

- Integrated LED
- Color selectable: 3000K, 4000K or 5000K
- Round, square, and rectangular shape options
- White steel base with acrylic lens
- Three-year limited warranty
- Dimmable

### Ideal Applications

- Residential
- Hospitality
- New construction
- Remodeling

## Specifications

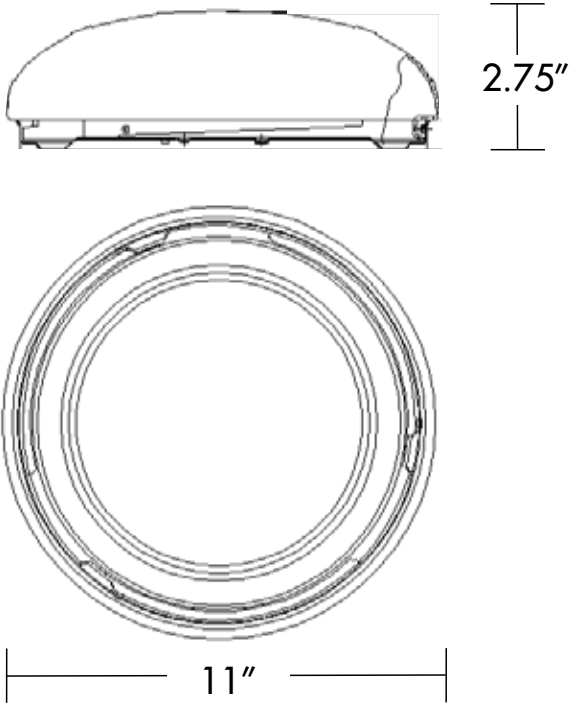
Input Line Voltage .....	120V	Color .....	Selectable 3000K, 4000K, 5000K
Input Line Frequency.....	60Hz	Lamp Life (hours).....	50,000
Wattage (W).....	10, 15, 20, 25, 35W	Minimum Starting Temperature .....	-20°C (-4°F)
Lumens (L).....	700, 1050, 1400, 1750, 2450L	Maximum Operating Temperature.....	50°C (122°F)
LPW .....	70	Certification .....	cETLus
CRI.....	80	Warranty.....	3-year limited

## Ordering Information

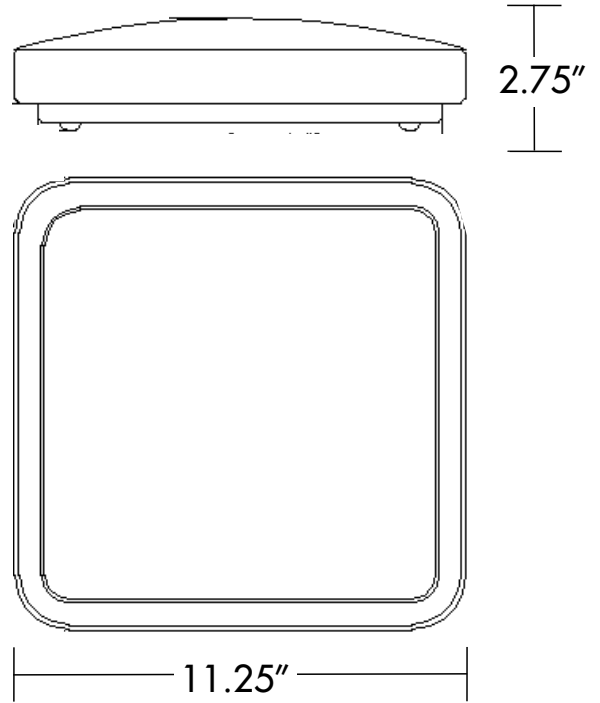
ITEM #	DESCRIPTION	DIMENSIONS	WATTS	LUMENS
CFMRD8DCCT	Cloud Flush Mount Round 8" Dim CCT	11"Dx2-3/4"H	10	700
CFMRD11DCCT	Cloud Flush Mount Round 11" Dim CCT	11"Dx2-3/4"H	15	1050
CFMRD13DCCT	Cloud Flush Mount Round 13" Dim CCT	13"Dx2-3/4"H	20	1400
CFMRD15DCCT	Cloud Flush Mount Round 15" Dim CCT	15"Dx2-3/4"H	25	1750
CFMSQ8DCCT	Cloud Flush Mount Square 8" Dim CCT	11-1/4"Wx2-3/4"H	10	700
CFMSQ11DCCT	Cloud Flush Mount Square 11" Dim CCT	11-1/2"Wx2-3/4"H	15	1050
CFMSQ13DCCT	Cloud Flush Mount Square 13" Dim CCT	13-1/2"Wx2-3/4"H	20	1400
CFMSQ15DCCT	Cloud Flush Mount Square 15" Dim CCT	15-1/2"Wx2-3/4"H	25	1750
CFMREC4FTDCCT	Cloud Flush Mount Rectangle 4' Dim CCT	51"Lx11"Wx4"H	35	2450

## Dimensions

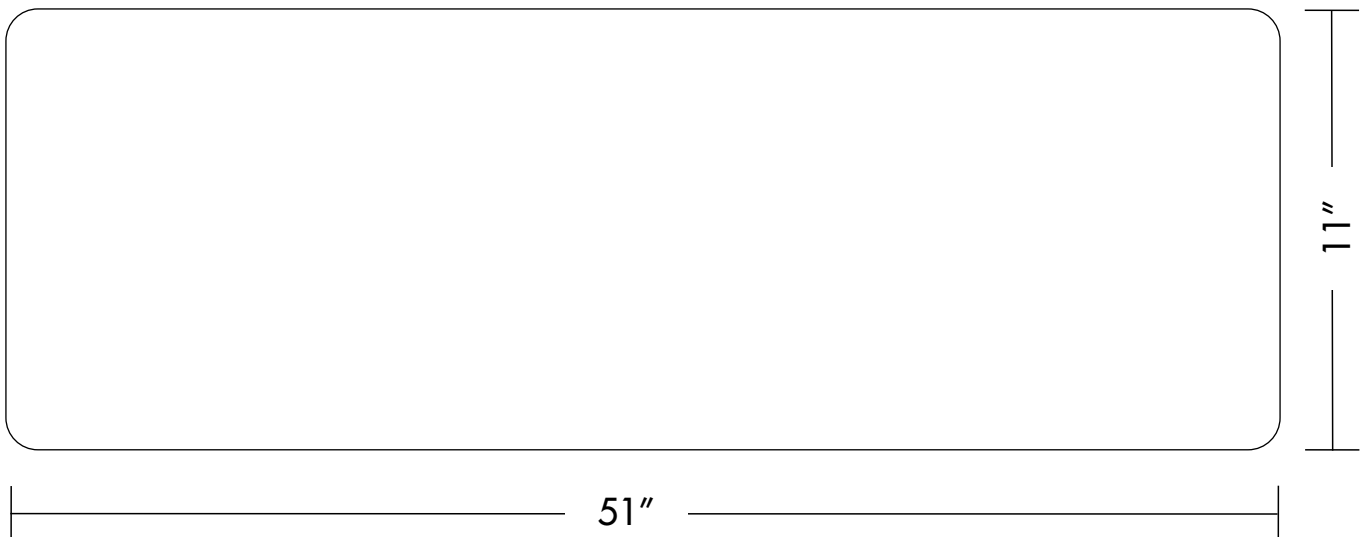
### Cloud Flush Mount Round



### Cloud Flush Mount Square



### Cloud Flush Mount Rectangle



# TECHNOLOGY CAST IN A BEAUTIFUL LIGHT

For over 20 years, TCP has been designing, developing and delivering energy-efficient lighting into the market. Thanks to our cutting-edge technology and manufacturing expertise, we have shipped billions of high quality lighting products. With TCP, you can count on a lighting product that is designed to meet the needs of the market - that transforms your surroundings and envelopes you in warmth - lighting that generates beauty with every flip of the switch.

Sales:

Date:

Model:

Project:

Rep:

Catalog Number:

Type:

Notes:



For more information on the quality and care TCP can deliver, call us at **800.324.1496** or visit [tcp.com](http://tcp.com)

325 Campus Dr. | Aurora, Ohio 44202 | P: 800.324.1496 | F: 877.487.0516