



Classic Round Semi-Flush Mount

Product Specifications



TCP's Classic Round Semi-Flush Mount provides long-lasting illumination for both residential and commercial applications. This "bulb-in-a-box" solution comes prepackaged with LED bulbs for ease of installation and a guarantee of high CRI, flicker-free LED performance.

Reasons to Choose the Classic Round Semi-Flush Mount from TCP

- LED bulbs included (A19, E26)
- Four color temperatures available: 2700K, 3000K, 4100K, or 5000K
- High 90 CRI value provides excellent color rendering results and consistency
- Frosted glass lens
- Brushed nickel finish
- Five-year limited warranty
- Dimmable

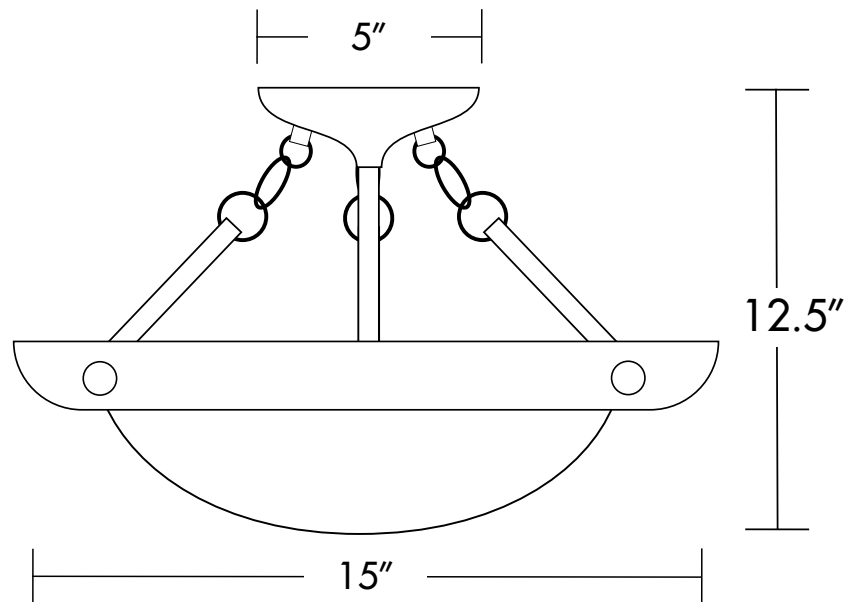
Ideal Applications

- Residential
- Hospitality
- New construction
- Remodeling

Specifications

Input Line Voltage	120V	Color	2700K, 3000K, 4100K, 5000K
Input Line Frequency	60Hz	Lamp Life (hours)	25,000
Wattage (W)	13W	Minimum Starting Temperature	-30°C (-22°F)
Lumens (L)	1100L	Maximum Operating Temperature	40°C (104°F)
LPW	84.6	Certification	cETLus
CRI	90	Warranty	5-year limited

Dimensions



Ordering Information

ITEM #	DESCRIPTION	COLOR	TITLE 20	JAB
CLSFMRD15BND27K	Classic Semi-Flush Mount Round 15" BN Dim 27K	2700K	Y	Y
CLSFMRD15BND30K	Classic Semi-Flush Mount Round 15" BN Dim 30K	3000K	Y	Y
CLSFMRD15BND41K	Classic Semi-Flush Mount Round 15" BN Dim 41K	4100K	Y	N
CLSFMRD15BND50K	Classic Semi-Flush Mount Round 15" BN Dim 50K	5000K	Y	N

TECHNOLOGY CAST IN A BEAUTIFUL LIGHT

For over 20 years, TCP has been designing, developing and delivering energy-efficient lighting into the market. Thanks to our cutting-edge technology and manufacturing expertise, we have shipped billions of high quality lighting products. With TCP, you can count on a lighting product that is designed to meet the needs of the market - that transforms your surroundings and envelopes you in warmth - lighting that generates beauty with every flip of the switch.

Sales:

Date:

Model:

Project:

Rep:

Catalog Number:

Type:

Notes:



For more information on the quality and care TCP can deliver, call us at **800.324.1496** or visit tcpi.com

325 Campus Dr. | Aurora, Ohio 44202 | P: 800.324.1496 | F: 877.487.0516