



Classic Bell Chandelier

Product Specifications



TCP's LED Classic Bell Chandelier provides long-lasting illumination for both residential and commercial applications. The high-quality steel vanity features a brushed nickel finish and attractive glass bell shades. This "bulb-in-a-box" solution comes prepackaged with LED bulbs for ease of installation and a guarantee of high CRI, flicker-free LED performance.

Reasons to Choose the Classic Bell Chandelier from TCP

- Energy Star® Certified LED bulbs included (A19, E26)
- Three color temperatures available: 2700K, 3000K or 4100K
- High 90 CRI value provides excellent color rendering results and consistency
- Triac dimming
- Brushed nickel powder coated steel and frosted glass bell shades
- ETL listed for damp locations (indoor)
- Three-year limited warranty

Ideal Applications

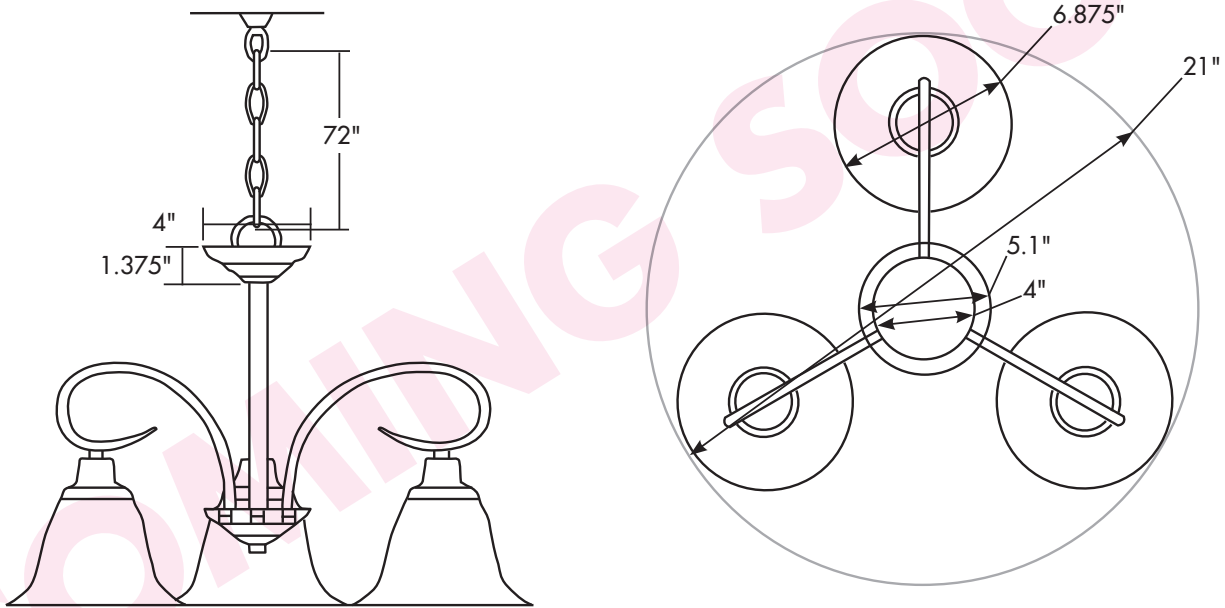
- Residential
- Hospitality
- New construction
- Remodeling



Specifications

Input Line Voltage.....	120V	Color	2700K, 3000K, 4100K
Input Line Frequency.....	60Hz	Lamp Life (hours).....	25,000
Wattage (W).....	6	Minimum Starting Temperature	-22°C (-8°F)
Lumens (l).....	475L, 525L	Maximum Operating Temperature.....	45°C (113°F)
LPW	79, 87.5	Environment.....	Suitable for damp
Wattage equivalent	40W	Certification	cETLus, Energy Star®
CRI.....	90	Warranty.....	3-year limited

Dimensions



Ordering Information

ITEM #	DESCRIPTION	COLOR	ENERGY STAR	TITLE 20	JA8
CLCH3BBND27K	Classic Bell Chandelier 3-Light Brushed Nickel Dim 27K	2700K	Y	Y	Y
CLCH3BBND30K	Classic Bell Chandelier 3-Light Brushed Nickel Dim 30K	3000K	Y	Y	Y
CLCH3BBND41K	Classic Bell Chandelier 3-Light Brushed Nickel Dim 41K	4100K	Y	N	N

TECHNOLOGY CAST IN A BEAUTIFUL LIGHT

For over 20 years, TCP has been designing, developing and delivering energy-efficient lighting into the market. Thanks to our cutting-edge technology and manufacturing expertise, we have shipped billions of high quality lighting products. With TCP, you can count on a lighting product that is designed to meet the needs of the market - that transforms your surroundings and envelopes you in warmth - lighting that generates beauty with every flip of the switch.

Sales:

Date:

Model:

Project:

Rep:

Catalog Number:

Type:

Notes:



For more information on the quality and care TCP can deliver, call us at **800.324.1496** or visit tcp.com

325 Campus Dr. | Aurora, Ohio 44202 | P: 800.324.1496 | F: 877.487.0516