



Solistic LED Table & Floor Lamps

Product Specifications



Solistic LED Table and Floor Lamps utilize a technology that most closely resembles natural light. This healthy light mimics natural sunlight and allows your body to maintain natural biorhythms which can be disrupted by the blue light produced by typical LED lighting. Solistic lighting also displays true colors as seen outside in natural daylight.

Reasons to choose the Solistic Table and Floor Lamps from TCP

- 1,000 Lumens of powerful lighting
- 4000K cool white color temperature
- Matte black finish
- Integrated dimming
- 95 high CRI
- Renders true depth of colors
- Adjustable neck allows for custom lighting positioning
- Supports your body's natural circadian rhythm
- Promotes a healthier sleep cycle and more productive awake times
- Low blue peak healthier for the human eye than artificial lighting

Ideal Applications

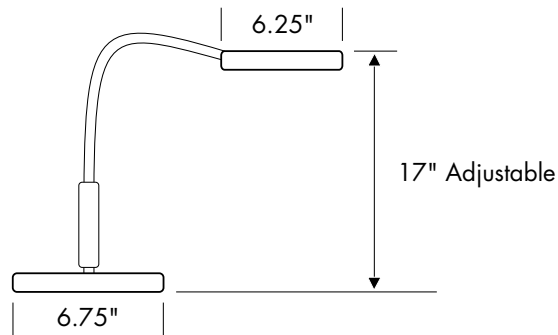
- Commercial
- Residential
- Hospitality
- Healthcare

Specifications

Solistic Adjustable Table Lamp



Product Dimensions:



Solistic Adjustable Table Lamp

Item #	Description	Dimming	Rated Life (hrs)	Voltage	Wattage	Lumens	LPW	CCT	CRI	Input Line Freq
555DLDIMBK40K	SUNLED ADJ DESK LAMP BLACK 40K	YES	25,000	100-240 VAC	18	1000	55.6	4000K	95	50/60 Hz

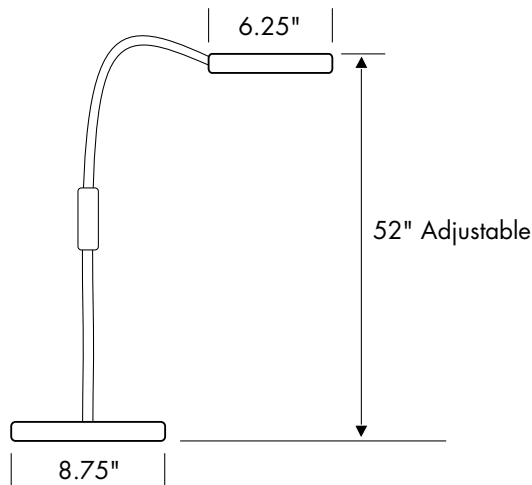
Solistic Adjustable Table Lamp With Wireless Charger

555DLVCDIMBK40K	SUNLED ADJ DESK LAMP BLACK CHG 40K	YES	25,000	100-240 VAC	18	1000	55.6	4000K	95	50/60 Hz
-----------------	------------------------------------	-----	--------	-------------	----	------	------	-------	----	----------

Solistic Adjustable Floor Lamp



Product Dimensions:



Solistic Adjustable Floor Lamp

Item #	Description	Dimming	Rated Life (hrs)	Voltage	Wattage	Lumens	LPW	CCT	CRI	Input Line Freq
555FLDIMREMBK40K	SUNLED ADJ FLR LMP BK 40K	YES	25,000	100-240 VAC	18	1000	55.6	4000K	95	50/60 Hz

TECHNOLOGY CAST IN A BEAUTIFUL LIGHT

For over 20 years, TCP has been designing, developing and delivering energy-efficient lighting into the market. Thanks to our cutting-edge technology and manufacturing expertise, we have shipped billions of high quality lighting products. With TCP, you can count on a lighting product that is designed to meet the needs of the market - that transforms your surroundings and envelopes you in warmth - lighting that generates beauty with every flip of the switch.

Sales:

Date:

Model:

Project:

Rep:

Catalog Number:

Type:

Notes:



For more information on the quality and care TCP can deliver, call us at **800.324.1496** or visit tcp.com

325 Campus Dr. | Aurora, Ohio 44202 | P: 800.324.1496 | F: 877.487.0516