

LED General Purpose CCT Strip

Product Specifications

TCP's LED General Purpose CCT Strip is designed to efficiently deliver robust performance while maximizing savings.

These integrated LED luminaires significantly reduce energy consumption compared to fluorescent systems, providing instant energy savings along with the ability to take advantage of potential utility rebates. A long 50,000 hour rated life significantly decreases maintenance labor and material costs over the life of the fixture.

TCP's General Purpose CCT Strip incorporates a ribbed, frosted white diffuser lens to protect the LEDs and minimize glare, while delivering bright, uniform light.

Reasons to choose the LED General Purpose CCT Strip from TCP

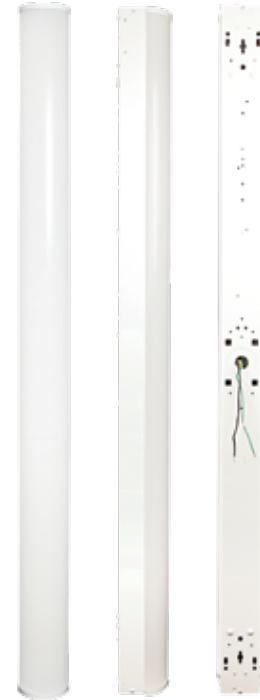
- Uses up to 58% less energy compared to traditional fluorescent systems
- Long 50,000 hour rated life
- Excellent color consistency and CRI
- 0-10V dimming driver comes standard
- Mercury free
- Easy to install - surface mount, suspended or pendant

Ideal Applications

- General Lighting
- Task Lighting
- Aisles
- Warehouses
- Storage
- Retail
- Manufacturing Facilities

Specifications

Input Line Voltage	120-277V
Input Line Frequency (Hz)	50/60HZ
Lumens / Wattage (W)	
A Package	
2'	2600L (20W)
4'	4200L (32W)
8'	8500L (65W)
E Package	
4'	5200L (40W)
8'	11400L (80W)
Lumens Per Watt (LPW)	>130 LPW
CCT.....	Selectable (3500K/4000K/5000K)
Dimming	0-10V (standard)
Controls.....	Occupancy sensor
Rated Life.....	>50,000 hours
Minimum Starting Temperature	-20°C
Maximum Operating Temperature.....	50°C
CRI	80+
Power Factor	>90%
THD.....	<20%
Ratings	UL/cUL



Replacement Strategy

SYSTEM	BALLAST FACTOR	INPUT WATTS*	LED ENERGY SAVINGS
TCP LED Strip Luminaire - 4 FT	—	32	—
2 Lamp 32W HBF	1.18	65	51%
2 Lamp 32W NBF	0.88	59	46%

*Actual wattage may differ by +/-10% when operating between 120-277V.

Lumen Maintenance

Lumen Maintenance Factor (LMF)				
	36,000 hours ¹	50,002 hours ²	100,000 hours ²	Reported L ₇₀ (hours) ¹
TCPGPS4UZDA8CCT	91.34%	88.04%	77.22%	>54,000
TCPGPS4UZDE8CCT	91.34%	88.04%	77.22%	>54,000

¹ IESNA TM-21-11 projected value based on 6X IESNA LM-80-08 total test duration of 9,000 hours.

² IESNA TM-21-11 calculated value exceeds 6X IESNA LM-80-08 total test duration of 9,000 hours.

Applications

TCP's LED General Purpose CCT Strip delivers bright, uniform light and long life, with the benefits of energy savings and low maintenance. Applications include general lighting, task lighting, aisles, warehouses, storage, manufacturing facilities and retail spaces.

Construction

- Visually appealing slim, low-profile design
- Heavy-duty aluminum housing
- Durable UV stabilized powder coat finish
- Easy surface mount, suspended mount, or pendant installation

Electrical

- 0-10V dimming driver (standard)
- Long 50,000 hour rated life
- cULus damp location rated
- Optional occupancy sensors (sold separately)

Optics

- Durable ribbed, frosted white diffuser lens
- Glare-free light distribution

Item Number	
Notes	Type



Listings

cULus Listed – damp location rated
RoHS Compliant

Warranty

Five year limited warranty against defects in manufacturing

Installation

Surface, suspended or pendant mounted

Before installation, please consult your local ordinances and building codes for compliance

Catalog Ordering Matrix

Example: TCPGPS4UZDA8CCT

BRAND	PRODUCT ID	SIZE	VOLTAGE	CONTROLS/DIMMING	LUMEN PACKAGE (POWER) ^{1,2}	CRI	COLOR TEMPERATURE	FACTORY INSTALLED OPTIONS	FACTORY INSTALLED CONTROL OPTIONS
TCP	GPS – General Purpose Strip	2 – 2 foot	U – 120-277V	ZD – 0-10V Dimming	A – 2600 (20W)	8 – 80	CCT – Selectable (3500K/4000K/5000K)	BLANK – No Options	BLANK – No Controls LS1 – PIR Motion Sensor LS1D – PIR/ Daylight Sensor
		4 – 4 foot	U – 120-277V	ZD – 0-10V Dimming	A – 4200 (32W) E – 5200 (40W)	8 – 80	CCT – Selectable (3500K/4000K/5000K)	BLANK – No Options EB – Battery Backup	BLANK – No Controls LS1 – PIR Motion Sensor LS1D – PIR/ Daylight Sensor
		8 – 8 foot	U – 120-277V	ZD – 0-10V Dimming	A – 8500 (65W) E – 11400 (80W)	8 – 80	CCT – Selectable (3500K/4000K/5000K)	BLANK – No Options EB – Battery Backup	BLANK – No Controls LS1 – PIR Motion Sensor LS1D – PIR/ Daylight Sensor

*** Battery backup not available in the 2FT length***

¹ Actual wattage may vary by +/- 10%.

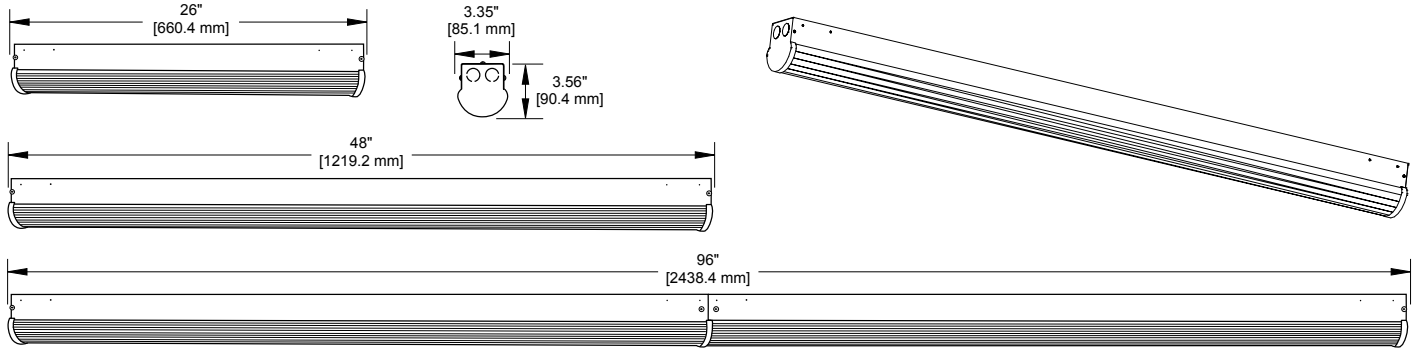
² Approximate lumen output. Actual performance may vary based on CCT, options selected and end user application.

ACCESSORIES (Ordered Separately)

TCPGPS4LENS – GP Strip and Retrofit Lens 4FT Section

GPSENDCON – Connector to join General Purpose Strips end-to-end

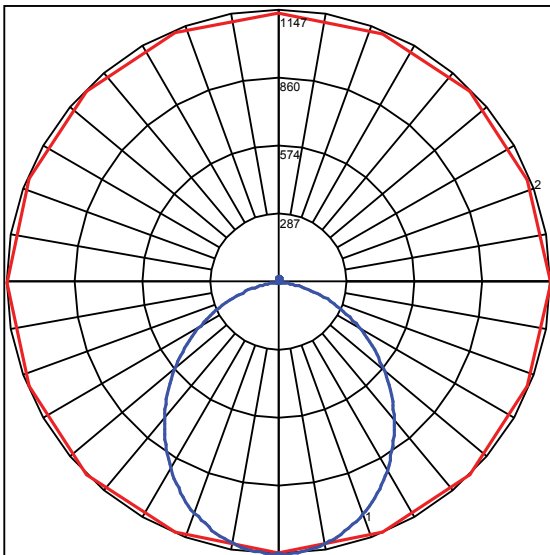
Dimensions and Mounting Data



Photometric Report

Based on photometric data for
TCP Item # TCPGPS4UZDA8CCT (4000K)

Polar Graph



Maximum Candela = 1147.2 Located At Horizontal Angle = 0, Vertical Angle = 1
1 - Vertical Plane Through Horizontal Angles (0 - 180) (Through Max. Cd.)
2 - Horizontal Cone Through Vertical Angle (1) (Through Max. Cd.)

Specifications and dimensions subject to change without notice.

Coefficients of Utilization – Zonal Cavity Method

Effective Floor Cavity Reflectance 0.20

RC	80				70				50				30				10				0
RW	70	50	30	10	70	50	30	10	50	30	10	50	30	10	50	30	10	50	30	10	0
0	116	116	116	116	112	112	112	112	105	105	105	98	98	98	91	91	91	88	88	88	88
1	104	98	93	89	100	95	90	86	88	85	81	82	79	77	77	75	72	69	69	69	69
2	94	85	77	71	90	82	75	69	76	71	66	71	67	62	67	63	59	56	56	56	56
3	85	74	65	58	82	71	63	57	67	60	54	62	57	52	58	54	50	47	47	47	47
4	78	65	56	49	75	63	55	48	59	52	46	55	49	44	52	47	42	40	40	40	40
5	71	58	49	42	68	56	48	41	53	45	40	50	43	38	47	41	37	34	34	34	34
6	66	52	43	36	63	51	42	36	48	40	35	45	38	33	42	37	32	30	30	30	30
7	61	47	38	32	59	46	37	32	43	36	30	41	34	29	39	33	28	26	26	26	26
8	57	43	34	28	55	42	34	28	40	32	27	37	31	26	35	30	25	23	23	23	23
9	53	39	31	26	51	38	31	25	36	29	24	34	28	24	33	27	23	21	21	21	21
10	50	36	28	23	48	35	28	23	34	27	22	32	26	21	30	25	21	19	19	19	19

Zonal Lumen Summary

Zone	Lumens	%Lamp	%Fixt
0-20	415.69	N.A.	10.20
0-30	878.65	N.A.	21.50
0-40	1434.12	N.A.	35.10
0-60	2550.13	N.A.	62.40
0-80	3357.43	N.A.	82.20
0-90	3610.82	N.A.	88.40
10-90	3502.91	N.A.	85.70
20-40	1018.43	N.A.	24.90
20-50	1596.47	N.A.	39.10
40-70	1571.34	N.A.	38.50
60-80	807.30	N.A.	19.80
70-80	351.97	N.A.	8.60
80-90	253.40	N.A.	6.20
90-110	299.66	N.A.	7.30
90-120	374.85	N.A.	9.20
90-130	416.03	N.A.	10.20
90-150	457.55	N.A.	11.20
90-180	474.61	N.A.	11.60
110-180	174.95	N.A.	4.30
0-180	4085.43	N.A.	100.00

Total Luminaire Efficiency = N.A.%

TECHNOLOGY CAST IN A BEAUTIFUL LIGHT

For over 20 years, TCP has been designing, developing and delivering energy-efficient lighting into the market. Thanks to our cutting-edge technology and manufacturing expertise, we have shipped billions of high quality lighting products. With TCP, you can count on a lighting product that is designed to meet the needs of the market - that transforms your surroundings and envelopes you in warmth - lighting that generates beauty with every flip of the switch.

Sales:

Date:

Model:

Project:

Rep:

Catalog Number:

Type:

Notes:



For more information on the quality and care TCP can deliver, call us at **800.324.1496** or visit tcp.com

325 Campus Dr. | Aurora, Ohio 44202 | P: 800.324.1496 | F: 877.487.0516