

## Select Series LED Wall Pack

### Product Specifications



TCP's Select Series LED Wall Pack combines the look of a traditional wall pack with industry-defining selectable features. This energy-saving HID alternative empowers you to select both wattage and correlated color temperature all while delivering bright, uniform light. A long 50,000 hour rated life significantly decreases maintenance labor and material costs over the life of the fixture. The robust die-cast aluminum housing incorporates an impact-resistant 90 degree acrylic lens and a 2950K CCT option. An integrated photocell option is available for dusk-to-dawn control. The wall pack mounts directly to a standard junction box for easy traditional fixture retrofits.

### Reasons to choose the Select Series LED Wall Packs from TCP

- Delivers bright, white light with excellent uniformity
- Wet location rated for safe outdoor usage
- Durable construction with die-cast aluminum housing and impact-resistant polycarbonate lens
- CCT and wattage selectable

### Ideal Applications

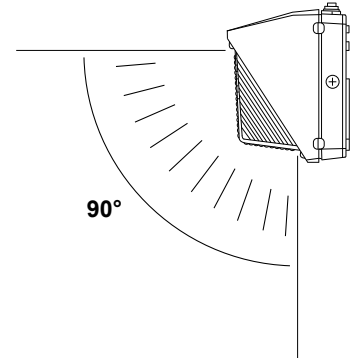
- Site Lighting
- Security Lighting
- Entrances
- Perimeters
- Dark Sky Conscious Applications

## Specifications

Input Line Voltage ..... 120-277V or 347/480V  
 Input Line Frequency (Hz) ..... 50/60HZ  
 Wattage(W)..... 35/45/55W Selectable & 115W Fixed  
 Lumens(l)..... 4725/6075/7425L Selectable & 15525L Fixed  
 Lumens per Watt (LPW)..... 135LPW  
 CCT ..... 2950K, 4000K, 5000K  
 Rated Life..... 50,000 hours  
 Minimum Starting Temperature ..... -40°C (-40°F)  
 Maximum Operating Temperature..... 50°C (122°F)  
 CRI ..... >80  
 Power Factor ..... >0.95  
 THD..... <20%  
 Surge Protection ..... 4Kv (Line to Ground)  
 Ratings ..... cULus wet location rated  
 Controls..... 0-10V Dimming (standard), PC option available



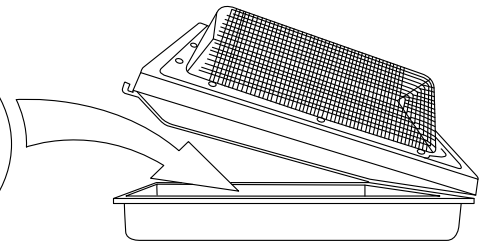
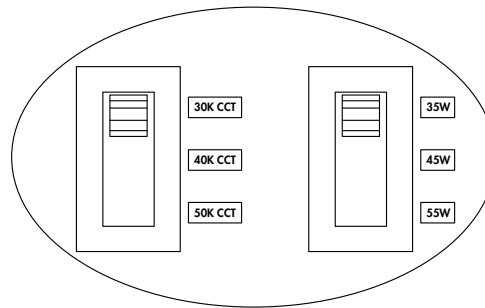
2950K CCT is compliant with Dark Sky Requirements



Integrated 90 degree lens reduces uplight concerns

## CCT and Wattage Selectable

Up to 9 CCT and wattage combinations.  
 Internal switches maintain wet location rating.



## Replacement Strategy

TYPE	WATTAGE*	ENERGY SAVINGS (%)
<b>TCP LED Select Wall Pack - 4,750 Lumens</b>	<b>35W</b>	—
100W - 150W Metal Halide	100W - 150W	65% - 77%
<b>TCP LED Select Wall Pack - 6,075 Lumens</b>	<b>45W</b>	—
175W Metal Halide	175W	75%
<b>TCP LED Select Wall Pack - 7,425 Lumens</b>	<b>55W</b>	—
250W Metal Halide	250W	80%
<b>TCP LED Select Wall Pack - 15,525 Lumens</b>	<b>115W</b>	—
400W Metal Halide	400W	71%

\*Actual wattage may differ by +/- 5%, when operating between 120-277V +/- 10%.

**NOTE:** Charts show system lumens (delivered lumens), NOT straight lamp lumen output.  
 This is calculated as follows:

$$\text{System lumens} = \text{mean lumens} \times \text{\# lamps} \times \text{ballast factor} \times \text{luminaire efficiency factor}$$

## Applications

This product family can be effectively used in outdoor wall mount locations. Commercial, industrial, retail and healthcare exterior lighting, parking lot, cargo door, high wall, area, security, etc.

## Construction

- Die-cast aluminum housing
- Impact-resistant polycarbonate lens
- Durable bronze powder coat
- Same footprint as existing HID wall packs
- Operating Temperature: -40°C to 50°C
- Four knockouts available for wiring (three knockouts when photocell option is chosen)

## Electrical

- cULus wet location rated
- Easy-to-access wiring compartment
- System rated for long 50,000 hour life
- Efficiently delivers up to 135 LPW
- Optional photocell (PC)

## Optics

- Prismatic polycarbonate lens
- Delivers bright, white light and excellent uniformity
- Integrated 90 degree lens to minimize uplight concerns

Item Number	
Notes	Type

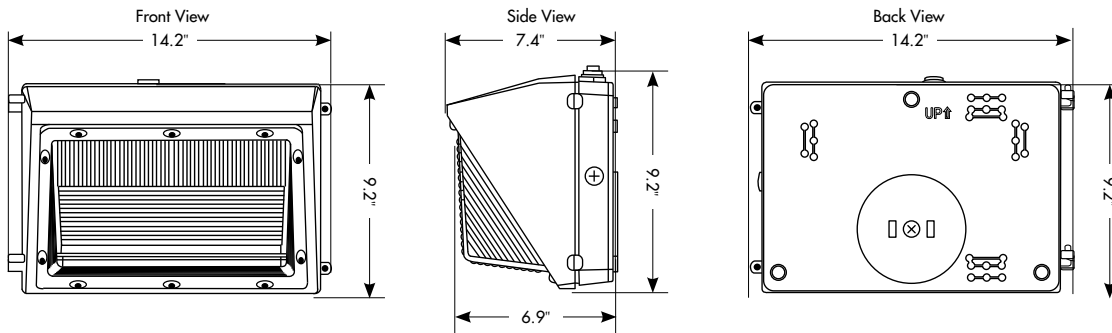


### Listings

UL and cUL listed  
RoHS Compliant  
DLC 5.1 Standard

### Warranty

Five year limited warranty against defects in manufacturing.



## Catalog Ordering Matrix Example: TWPUZDB1CCT

TWP		ZD		CCT	
FAMILY	VOLTAGE	CONTROLS/DIMMING	LUMEN PACKAGE (Power) <sup>1,2</sup>	SELECTABLE COLOR TEMPERATURE	FACTORY INSTALLED OPTIONS
TWP – Traditional Wall Pack	U – 120V/277V H – 347/480V	ZD – 0-10V Dimming	B1 – 4725/6075/7425L (35/45/55W) B2 – 15525L (115W)	CCT – 2950K/4000K/5000K	PC – Photocell

<sup>1</sup> Approximate lumen output. Actual performance may vary based on CCT, options selected and end user application.

<sup>2</sup> Actual wattage may differ by +/- 10%.

### Field Installed Accessories:

Item Number	Description
CPEBATTERY	8W 90 min. waterproof emergency backup

For the most up-to-date specs and warranty information, please visit [www.tpci.com](http://www.tpci.com)



# TECHNOLOGY CAST IN A BEAUTIFUL LIGHT

For over 20 years, TCP has been designing, developing and delivering energy-efficient lighting into the market. Thanks to our cutting-edge technology and manufacturing expertise, we have shipped billions of high quality lighting products. With TCP, you can count on a lighting product that is designed to meet the needs of the market - that transforms your surroundings and envelopes you in warmth - lighting that generates beauty with every flip of the switch.

Sales:

Date:

Model:

Project:

Rep:

Catalog Number:

Type:

Notes:



For more information on the quality and care TCP can deliver, call us at **800.324.1496** or visit [tcpi.com](http://tcpi.com)

325 Campus Dr. | Aurora, Ohio 44202 | P: 800.324.1496 | F: 877.487.0516