



LED Adjustable Wall Packs

Product Specifications



TCP's LED Adjustable Wall Packs are an efficient alternative to traditional metal halide fixtures. Each wall pack has an integrated photocell which allows for dusk-to-dawn control, and mounts easily to a standard junction box, making the retrofitting of traditional fixtures simple to complete.

The wall packs feature a housing constructed from heavy duty die-cast aluminum as well as an impact resistant polycarbonate lens.

Reasons to choose the LED Adjustable Wall Packs from TCP

- Uses up to 79% less energy than traditional metal halide fixtures, resulting in instant energy savings and potential rebate eligibility
- Adjustable up to 90 degrees providing forward throw when needed
- Long 50,000 hour rated life minimizes replacements and reduces overall labor costs throughout the life of the fixture
- Provides a clean, modern aesthetic
- UL approved for wet locations
- Integrated 120-277V button photocell comes standard and provides dusk-to-dawn control
- Mercury-free construction is good for all environments
- Die-cast aluminum housing with impact resistant polycarbonate lens protects the LEDs in harsh outdoor environments
- Surface mounts to standard junction box for easy installation and retrofit applications

Ideal Applications

- Site Lighting
- Security Lighting
- Pathways
- Entry ways
- Perimeters
- Facades
- Well suited for outdoor areas where bright, uniform light is needed



Specifications

| | |
|---------------------------------|---|
| Input Line Voltage | 120-277 VAC |
| Input Line Frequency (Hz) | 50/60HZ |
| Wattage (W) | 5200L (40W) |
| Lumens per Watt (LPW) | 130 LPW |
| Color Temperature (CCT) | 4000K, 5000K |
| Dimming | 0-10V |
| Controls | Integrated 120-277V button photocell (standard) |
| Rated Life | >50,000 hours |
| Operating Temperature | -40°C to 40°C |
| CRI | 70+ |
| Power Factor | >0.9 |
| THD | <20% |

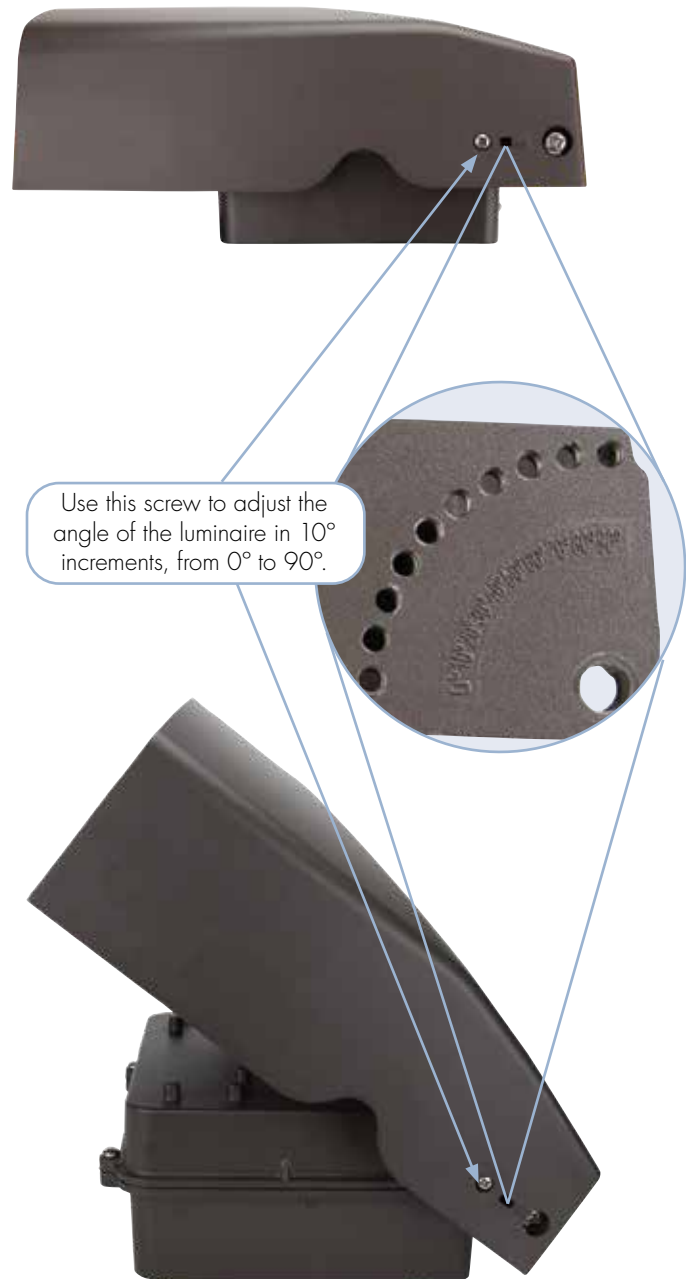
Warranty

Five year limited warranty against defects in manufacturing

Replacement Comparison

| TYPE | WATTAGE | ENERGY SAVINGS (%) |
|--|------------|--------------------|
| TCP LED Adjustable Wall Pack A1 - 5200 Lumens | 40W | — |
| 75W Metal Halide | 86W | 53% |
| 100W Metal Halide | 129W | 69% |
| 150W Metal Halide | 188W | 79% |

Incremental Adjustment Capabilities





LED Adjustable Wall Pack

Applications

TCP's LED Adjustable Wall Packs are a highly-efficient alternative to traditional metal halide fixtures. Ideal for outdoor applications requiring bright, uniform light including site lighting, security lighting, entrances, pathways and perimeters.

Construction

- Heavy duty die-cast aluminum housing
- Durable powder coat finish
- Mounts to standard junction box
- Modern style with up to 90° tilt adjustment

Electrical

- Integrated 120-277V button photocell for dusk-to-dawn control
- System rated for long 50,000 hour rated life
- cULus wet location rated
- 4kV surge suppression comes standard

Optics

- Formed optics create a Type III distribution
- Clear, impact-resistant polycarbonate outer lens

Lumen Maintenance Factor (LMF)

| Item# | 36,000 hours ¹ | 50,000 hours ¹ | 100,000 hours ² | Reported L ₇₀ (hours) ¹ |
|-------|---------------------------|---------------------------|----------------------------|---|
| B1 | 90.23% | 86.77% | 75.43% | >54,000 |

¹ IESNA TM-21-11 projected value based on 6X IESNA LM-80-08 total test duration.

² IESNA TM-21-11 calculated value exceeds 6X IESNA LM-80-08 total test duration.

| | |
|-------------|------|
| Item Number | |
| Notes | Type |



Listings

cULus Listed – wet location rated
RoHS Compliant
DLC V5.0 Premium

Warranty

Five year limited warranty against defects in manufacturing

Catalog Ordering Matrix Example: FCWUZDB1T340KBRPC

| FC | W | U | ZD | | T3 | | BR | PC |
|----------------------------|----------|---------------|--------------------|---------------------------------------|---------------|----------------------------|-------------|------------------------|
| FAMILY | MOUNT | VOLTAGE | DIMMING | LUMENS PACKAGE (Power) ^{1,2} | DISTRIBUTION | CCT | COLOR | PHOTOCELL ³ |
| FC = Full Cutoff Wall Pack | W = Wall | U = 120V-277V | ZD = 0-10V Dimming | B1 = 5200 Lumens (40W) | T3 = Type III | 40K = 4000K 50K = 5000K | BR = Bronze | PC = Button Photocell |

¹ Approximate lumen output. Actual performance may vary based on CCT, options selected and end user application.

² Actual wattage may vary by +/- 10%.

³ Only 40K and 50K items with the photocell are available.

Performance Data

| LUMEN PACKAGE | NUMBER OF DRIVERS | SYSTEM WATTS | DRIVE CURRENT (mA) | INPUT VOLTAGE | DISTRIBUTION TYPE | B-U-G Rating |
|---------------|-------------------|--------------|--------------------|---------------|-------------------|--------------|
| B1 | 1 | 41 | 980 | 120-277V | Type III - Short | B2-U2-G1 |

For the most up-to-date specs and warranty information, please visit www.tcp.com

TCP®

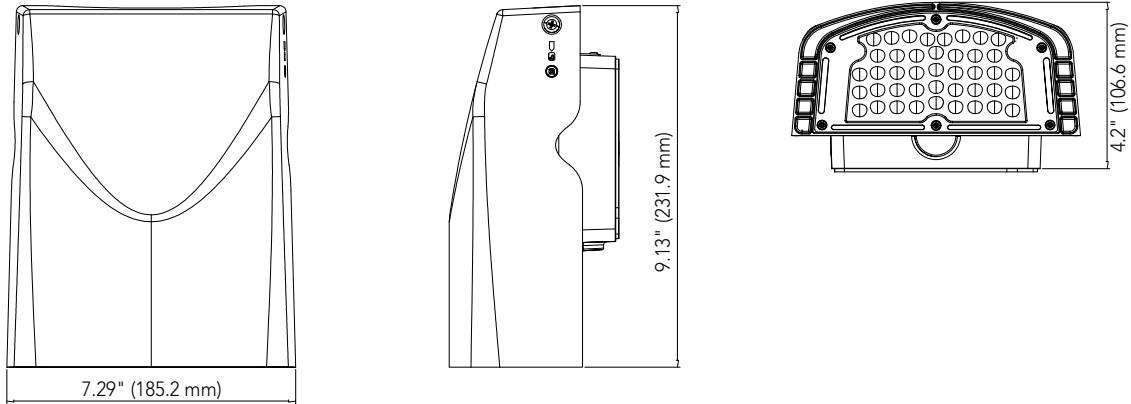
325 Campus Dr. | Aurora, Ohio 44202 | P: 800-324-1496 | tcp.com



Not all versions of this product are qualified on the DLC QPL. To view our DLC qualified products, please consult the DLC Qualified Products List at www.designlights.org/qpl.

Dimensions and Mounting Data

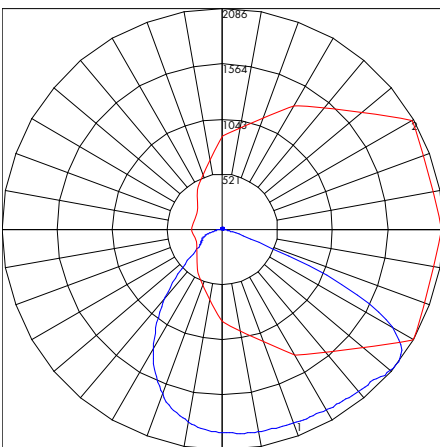
B1



Photometric Report

Polar Graphs

FCWUZDB1T340K



Maximum Candela = 2085.871 Located At Horizontal Angle = 330, Vertical Angle = 53

1 - Vertical Plane Through Horizontal Angles (330 - 150) (Through Max. Cd.)

2 - Horizontal Cone Through Vertical Angle (53) (Through Max. Cd.)

TECHNOLOGY CAST IN A BEAUTIFUL LIGHT

For over 20 years, TCP has been designing, developing and delivering energy-efficient lighting into the market. Thanks to our cutting-edge technology and manufacturing expertise, we have shipped billions of high quality lighting products. With TCP, you can count on a lighting product that is designed to meet the needs of the market - that transforms your surroundings and envelopes you in warmth - lighting that generates beauty with every flip of the switch.

Sales:

Date:

Model:

Project:

Rep:

Catalog Number:

Type:

Notes:



For more information on the quality and care TCP can deliver, call us at **800.324.1496** or visit tcp.com

325 Campus Dr. | Aurora, Ohio 44202 | P: 800.324.1496 | F: 877.487.0516