



# LED Vapor Tight

## Product Specifications



The TCP Vapor Tight Luminaire is perfect for your wet location low bay needs. Providing ample light at a low energy cost, the Vapor Tight is ready for the worst weather. With a plastic housing and included mounting hardware, the TCP Vapor Tight is durable and quick to install.

### Reasons to choose the LED Vapor Tight from TCP

- Durable plastic housing
- Frosted PC lens for glare control
- Wet location rated
- Long life: 50,000 hours
- Operating temperature: -4°F to 122°F
- Wide beam spread

### Ideal Applications

- Parking Garages
- Car Washes
- Cold Storage
- Garden Centers
- Corridors
- Stairwells
- Hallways

## Specifications

Input Line Voltage.....120-277V; 120-347V (Canada only)  
 Input Line Frequency.....50HZ/60HZ  
 Wattage.....2FT=24W, 4FT=20W, 4FT=40W, 8FT=65W  
 Lumens.....2FT=3120L, 4FT=2600L, 4FT=5200L, 8FT= 8775L  
 Lumens per Watt.....>130 LPW  
 Rated Life.....50,000 hours  
 Color Temperature.....4000K & 5000K  
 Dimming.....0-10V (Standard)  
 Operating Temperature.....-20°C (-4°F) to 50°C (122°F)  
 CRI.....>80  
 Power Factor.....>0.9  
 THD.....<20%  
 Controls.....Occupancy sensor w/ Daylight harvesting (optional)

## Features

- Durable lens and housing
- -20°C (-4°F) to 50°C (122°F) operating range
- Stainless steel clips allow for easy lens removal

Item Number	
Notes	Type



### Listings

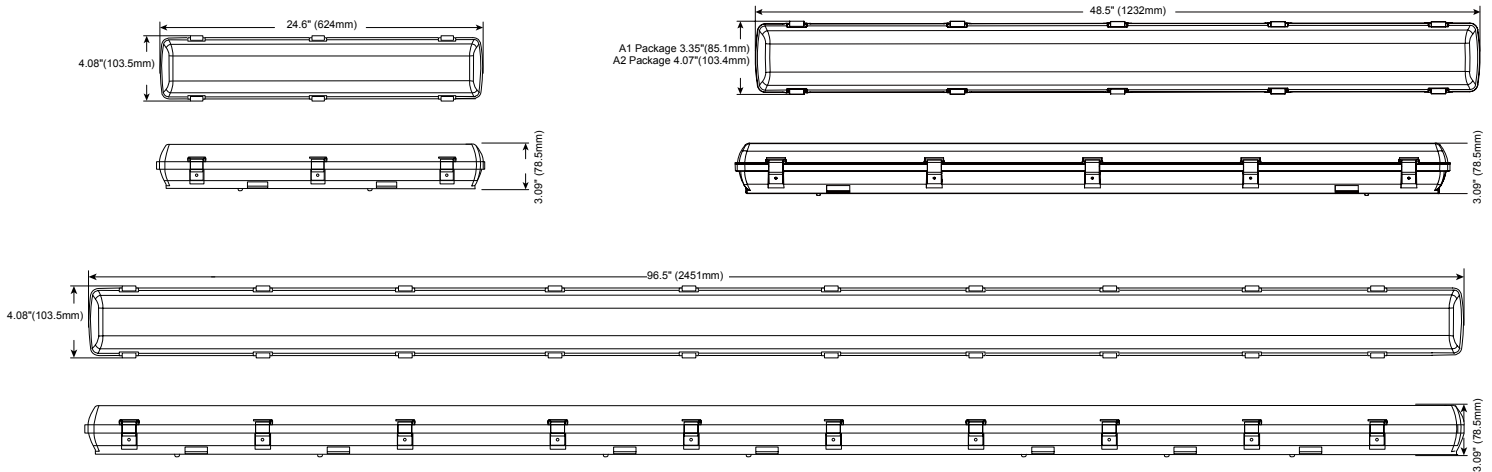
UL and cUL listed  
 RoHS Compliant  
 DLC 5.0 Premium  
 IP65

### Warranty

Five year limited warranty against defects in manufacturing.

Spacing Criterion (0-180): 1.22

Spacing Criterion (90-270): 1.22



## Catalog Ordering Matrix Example: VTF2UZDA140K

FAMILY	LENS	LENGTH	VOLTAGE	DIMMING	LUMEN PACKAGE (Power) <sup>1,2</sup>	CCT	OPTIONS
VT = Vapor Tight	F = Frosted lens	2 = 2 foot	U = 120V-277V H = 120-347V	ZD = 0-10V Dimming	A1 – 3100 Lumens (24W)	40K = 4000K 50K = 5000K	EB – Emergency Backup SW1 – Microwave Motion Sensor
VT = Vapor Tight	F = Frosted lens	4 = 4 foot	U = 120V-277V H = 120-347V	ZD = 0-10V Dimming	A1 – 2600 Lumens (20W) A2 – 5200 Lumens (40W)	40K = 4000K 50K = 5000K	
VT = Vapor Tight	F = Frosted lens	8 = 8 foot	U = 120V-277V H = 120-347V	ZD = 0-10V Dimming	A1 – 8775 Lumens (65W)	40K = 4000K 50K = 5000K	

<sup>1</sup> Approximate lumen output. Actual performance may vary based on CCT, options selected and end user application.

<sup>2</sup> Actual wattage may differ by +/- 10%.

<sup>3</sup> EB not compatible with SW1 sensor.

# TECHNOLOGY CAST IN A BEAUTIFUL LIGHT

For over 20 years, TCP has been designing, developing and delivering energy-efficient lighting into the market. Thanks to our cutting-edge technology and manufacturing expertise, we have shipped billions of high quality lighting products. With TCP, you can count on a lighting product that is designed to meet the needs of the market - that transforms your surroundings and envelopes you in warmth - lighting that generates beauty with every flip of the switch.

Sales:

Date:

Model:

Project:

Rep:

Catalog Number:

Type:

Notes:



For more information on the quality and care TCP can deliver, call us at **800.324.1496** or visit [tcp.com](http://tcp.com)

325 Campus Dr. | Aurora, Ohio 44202 | P: 800.324.1496 | F: 877.487.0516