



LED Emergency Remote Heads

Product Specifications



Add illumination to existing exit signs and emergency lights with the LED Emergency Remote Heads from TCP. Available in single- and double-head versions, the lights can be mounted on the wall or ceiling to provide a simple, cost-effective solution for enhancing building safety.

Reasons to choose the LED Emergency Remote Heads from TCP

- Long-lasting, ultra-bright white LED lamp heads
- Adjustable heads for optimal center-to-center spacing
- High performance, chrome-plated, metalized reflector, and plastic lens for optimal light distribution
- Suitable for wall or ceiling mount
- Universal mounting plate included for mounting to single-gauge switch box
- UL listed for damp locations
- Available in white or black*

Ideal Applications

- Retail
- Commercial
- Industrial
- Schools
- Hospitals
- Parking Lots

Construction

- White or black* injection-molded thermoplastic
- High-impact resistant
- 5VA flame retardant

Specifications

Wattage 1.0W (8 LEDs x .0.125W) per head
 Min Start Temp 32°F (0°C)
 Max Oper Temp 122°F (50°C)
 Listings..... UL Damp Location, UL924, NFPA 101 Life Safety Code NEC,
 OSHA, Local and State codes
 Warranty..... 5-year on electronics and housing



Electrical

- Powered from low voltage power source with low voltage wiring (not provided)

Optics

- Long life, efficient, ultra-bright white LED lamp heads
- 1.0W (8 LED x 0.125W) per head
- High performance, chrome-plated metallized reflector and plastic lens for optimal light distribution
- Adjustable LED lamp head(s) provide optimal center-to-center spacing

Installation

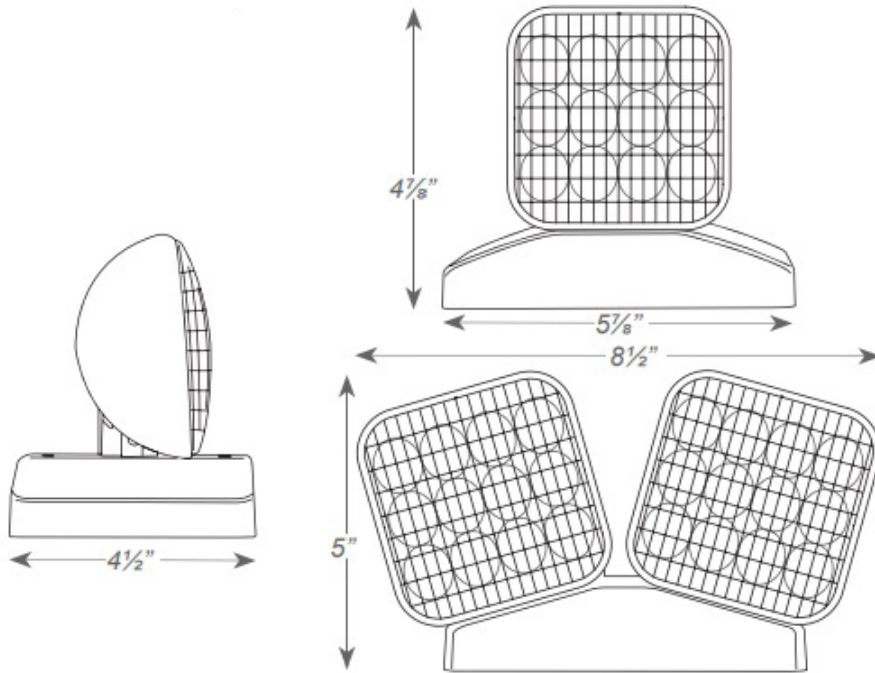
- Universal mounting baseplate included with mounting hardware
- Distance of maximum run is determined by system voltage, wire gauge and total maximum wattage on the run
- Suitable for wall or ceiling mount

LED Emergency Remote Heads

Item #	Description	Style	Housing Color
LEDRH1	LED Outdoor Polycarbonate Remote Head - White Single Head	Single Head	White
LEDRH1B*	LED Outdoor Polycarbonate Remote Head - Black Single Head	Single Head	Black*
LEDRH2	LED Outdoor Polycarbonate Remote Head - White Double Head	Double Head	White
LEDRH2B*	LED Outdoor Polycarbonate Remote Head - Black Double Head	Double Head	Black*

*Black is a special order item only with a 2-3 week lead time.

Dimensions



Listing

UL Listed for Damp Locations, meets UL924, NFPA 101 Life Safety Code, NEC, OSHA, Local and State Codes

Warranty

Five-year manufacturer's warranty

Specifications and dimensions subject to change without notice.

TECHNOLOGY CAST IN A BEAUTIFUL LIGHT

For over 20 years, TCP has been designing, developing and delivering energy-efficient lighting into the market. Thanks to our cutting-edge technology and manufacturing expertise, we have shipped billions of high quality lighting products. With TCP, you can count on a lighting product that is designed to meet the needs of the market - that transforms your surroundings and envelopes you in warmth - lighting that generates beauty with every flip of the switch.

Sales:

Date:

Model:

Project:

Rep:

Catalog Number:

Type:

Notes:



For more information on the quality and care TCP can deliver, call us at **800.324.1496** or visit tcp.com

325 Campus Dr. | Aurora, Ohio 44202 | P: 800.324.1496 | F: 877.487.0516