



Made-In-USA LED T8-Ready General Purpose Strip

Description

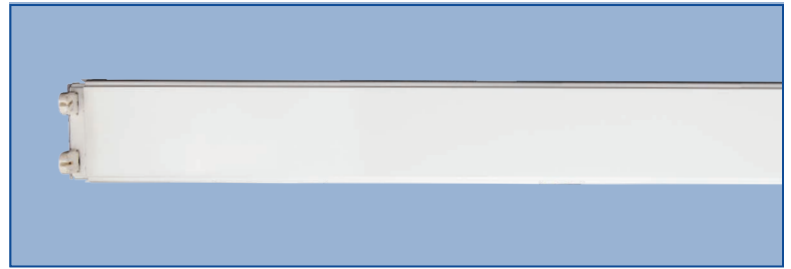
The LED T8-Ready Luminaires feature the look of classic fluorescent luminaires while operating modern single- or double-ended LED T8 Type B lamps. The easy-to-install LED T8-Ready General Purpose Strips maintain that classic look while operating one or two lamps. They are suitable for a wide range of indoor applications including workshops, hallways, laundry rooms and industrial task lighting.

Construction

- Heavy gauge steel housing
- Durable white powder coat
- High-quality pre-wired lampholders
- Easy-to-install design

Electrical

- cULus damp location rated
- Sockets are pre-wired for Type B LED lamps

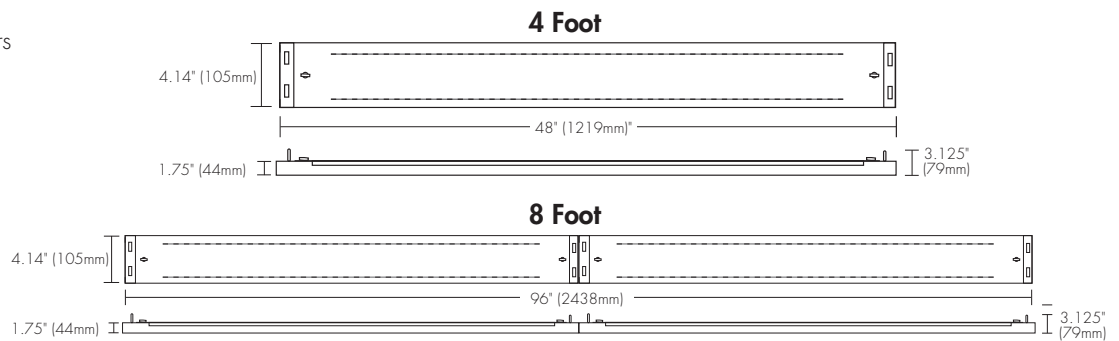


Listings

UL and cUL listed
RoHS Compliant
Made in the USA

Warranty

Five year limited warranty against defects in manufacturing.



ITEM	DESCRIPTION	LAMP TYPE	LAMP LENGTH	# LAMPS (NOT INCLUDED)	LUMINAIRE LENGTH	Option: ¹
LED T8-Ready General Purpose Strip						
GPS4WA1LT8B1	4FT 1L Single End T8 Bypass Rdy	Single End Type B T8	4ft	1	4ft	LS1
GPS4WA1LT8B2	4FT 1L Double End T8 Bypass Rdy	Double End Type B T8	4ft	1	4ft	LS1
GPS4WA2LT8B1	4FT 2L Single End T8 Bypass Rdy	Single End Type B T8	4ft	2	4ft	LS1
GPS4WA2LT8B2	4FT 2L Double End T8 Bypass Rdy	Double End Type B T8	4ft	2	4ft	LS1
GPS8WA2LT8B1	8FT 2L Single End T8 Bypass Rdy	Single End Type B T8	4ft	2	8ft	LS1
GPS8WA2LT8B2	8FT 2L Double End T8 Bypass Rdy	Double End Type B T8	4ft	2	8ft	LS1
GPS8WA4LT8B1	8FT 4L Single End T8 Bypass Rdy	Single End Type B T8	4ft	4	8ft	LS1
GPS8WA4LT8B2	8FT 4L Double End T8 Bypass Rdy	Double End Type B T8	4ft	4	8ft	LS1
GPS8WA2LT8B2	8FT 2L Fa8 Socket DE Bypass Rdy	Double End Type B T8	8ft	2	8ft	LS1

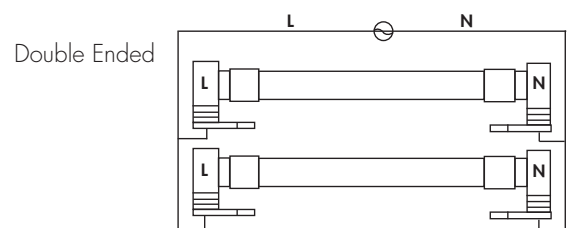
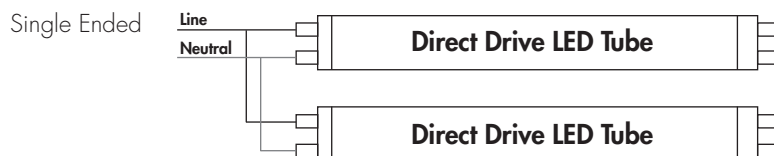
¹Add "LS1" to the end of the part number for factory installation

ACCESSORIES (Ordered Separately; Sensors can be installed at the factory)

LS1 = Leviton PIR Occupancy Sensor w/bracket and interchangeable lenses, 40' or less, 120V, 277V or 347V

YTG HANGER = 1.5ft Y-Cable Toggle Hanging Kit

Wiring Diagrams



For the most up-to-date specs and warranty information, please visit www.tcpi.com