

IMPORTANT: Install by Qualified Electrician. Please read instructions before proceeding with installation. Keep these instructions for future reference.

WARNING

RISK OF ELECTRIC SHOCK

- Turn off power prior to inspection, installation or removal of fixture.
- Ensure electrical enclosure is properly grounded in accordance with National Electrical Code (NEC) and/or Canadian Electrical Code (CSA).

RISK OF FIRE

- Product must be installed in accordance with NEC and/or applicable local codes by a qualified licensed electrician.
- Wiring connections should be made with UL approved wire connectors.

THIS PRODUCT MUST BE INSTALLED IN ACCORDANCE WITH THE APPLICABLE INSTALLATION CODE BY A PERSON FAMILIAR WITH THE CONSTRUCTION AND OPERATION OF THE PRODUCT AND THE HAZARDS INVOLVED

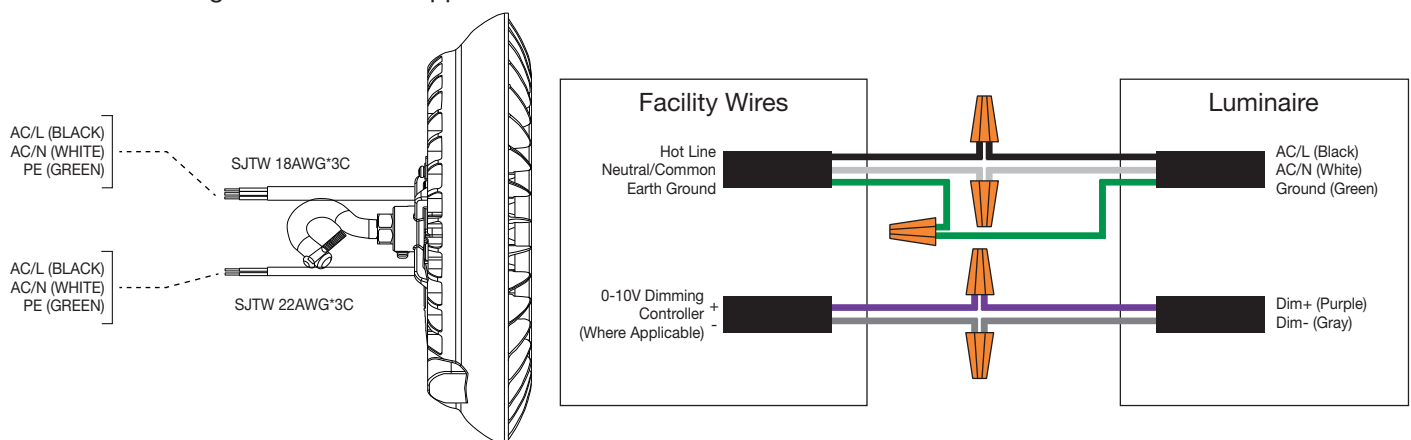
READ AND FOLLOW ALL SAFETY INSTRUCTIONS

ATTENTION

- Do not disassemble fixture. No user or serviceable parts inside.
- Do not use this equipment for other than its intended use.
- Work gloves are recommended when handling to protect hands and prevent the transfer of dirt and oil to the luminaire.
- Prior to installation, carefully unpack and properly inspect luminaire for any damage that may have occurred during shipping.

ELECTRICAL CONNECTION

- Make wire connections in a code compliant junction box. Distance between the luminaire and box should be such that enough slack is left to not put strain on connections or interfere with hanging orientation of the luminaire.
- Unused dimming wires must be capped off.



continued on back

MOUNTING VIA HOOK

1. Locate or create a stable structure to support the luminaire.
2. Properly secure the luminaire mounting hook to the structure using chain, cable, loop or other appropriate method structure as required by applicable state and/or local codes. (FIGURE 1)
3. Fasten screw down tightly to close hook and secure the luminaire to structure. (FIGURE 2)

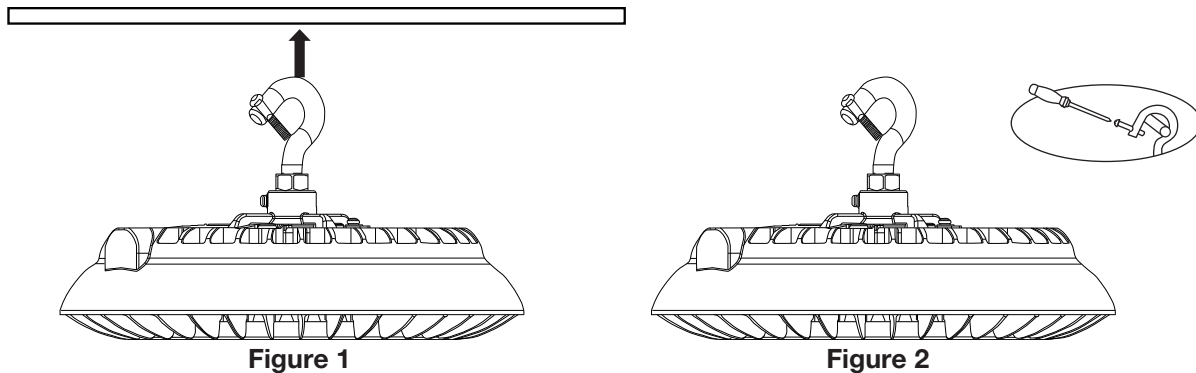


Figure 1

Figure 2

MOUNTING VIA PENDANT ADAPTER (Sold Separately)

1. Use a 17 mm open-faced wrench to loosen the nut located at the base of the hook by turning it a quarter to half rotation counter-clockwise. (FIGURE 3)
2. Twist the hook to remove from the fixture. NOTE: The hook is secured with a threadlock sealant. If unable to easily twist off, apply heat to the base of the hook to weaken the bond.
3. Place the pendant adapter overtop of the threaded hole, with the metal guide fitting over a ridge of the driver. Secure the adapter to the luminaire using an 8mm Hex key to tightly fasten the provided hexagonal screw into the threaded hole. (FIGURE 4)
4. Connect the pendant rod (not provided) into the adapter and secure the rod with the anti-slip screw by tightening the screw with a Philips head screwdriver. (FIGURE 5)

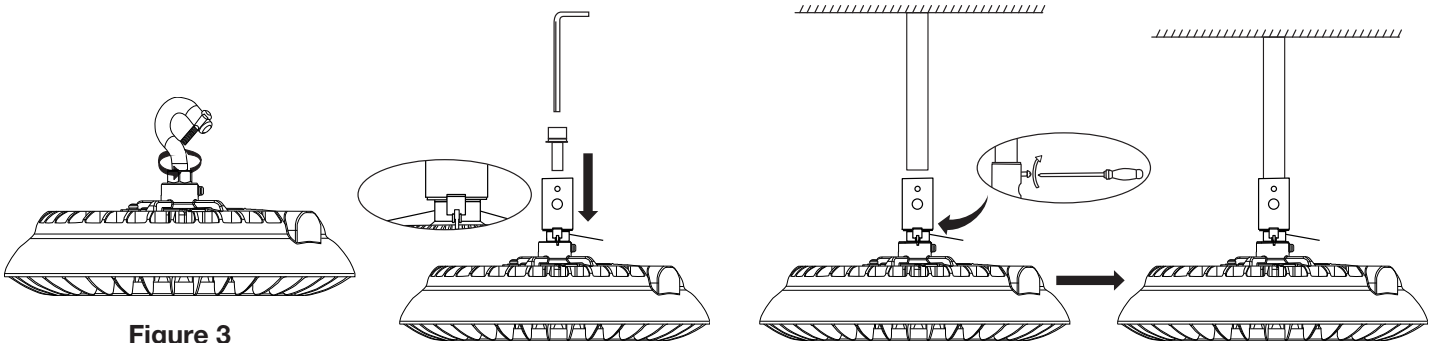


Figure 3

Figure 4

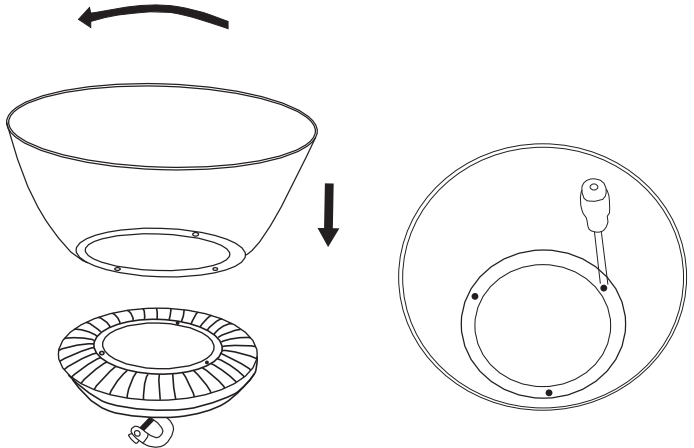
Figure 5

continued on next page

INSTALLING REFLECTORS

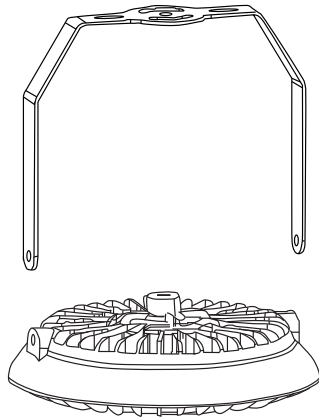
ACRYLIC REFRACTOR AND ALUMINUM REFLECTOR INSTALLATION

Loosen (3) protruding screws on LED High Bay. Place aluminum reflector over protruding screws and twist to lock. Ensure reflector is secure then fasten protruding screws.

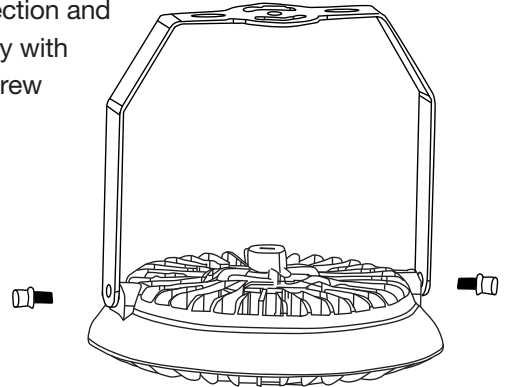


ADJUSTABLE BRACKET INSTALLATION

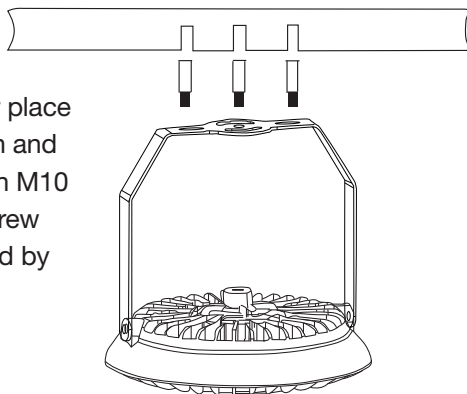
1. Match the bracket holes with reserved holes available on the heatsink



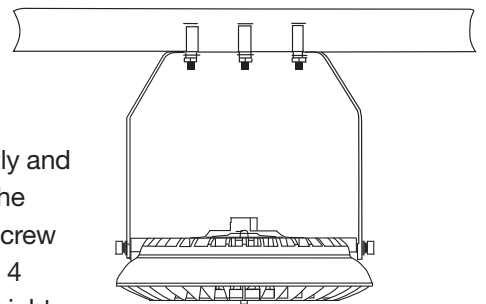
2. Rotate the bracket to needed direction and fasten tightly with 2pcs M8 screw



3. Find a proper place for installation and drill holes with M10 expansion screw bolts (supplied by others)



4. Fasten the screws tightly and make sure the expansion screw can support 4 times the weight of the product



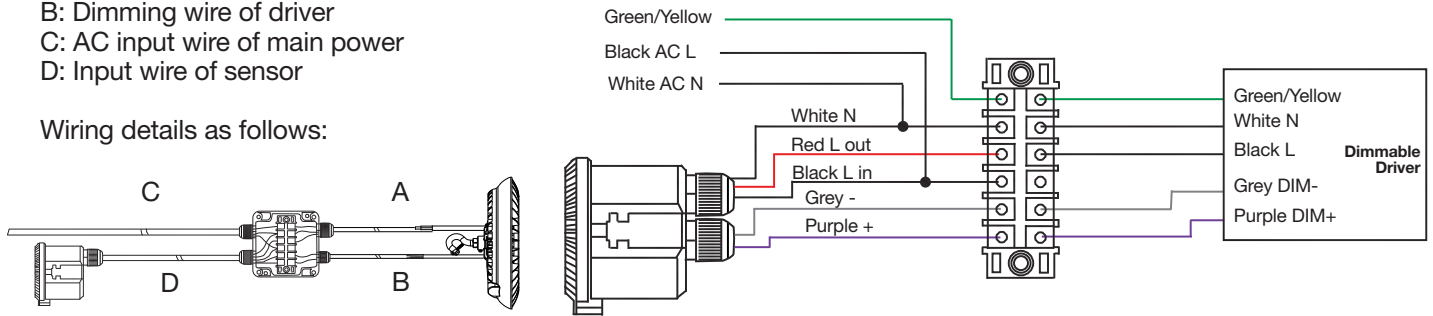
continued on back

INSTALLATION OF SENSOR FOR HIGH BAY

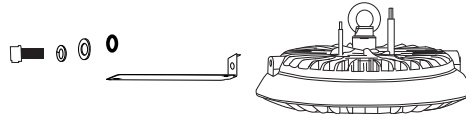
1. Connect the following wires to the terminal block inside the junction box

- A: AC Input wire of driver
- B: Dimming wire of driver
- C: AC input wire of main power
- D: Input wire of sensor

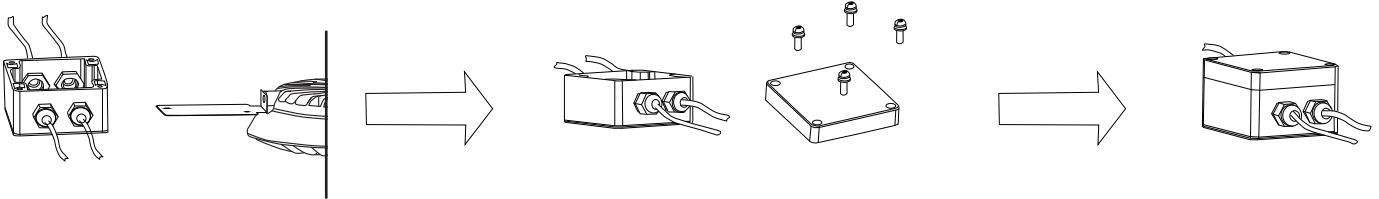
Wiring details as follows:



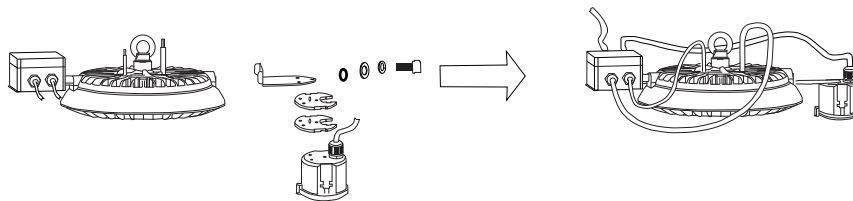
2. Insert 3 different washers to the M8 screws in right sequence like below image to attach junction box mounting bracket to the hole on the side of the heatsink.



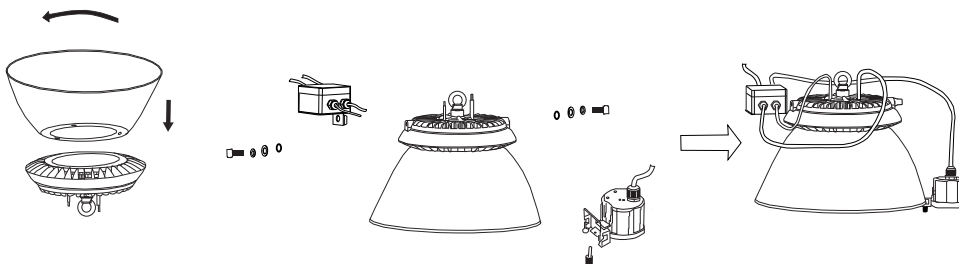
3. After wiring, fix the junction box to the bracket with PM4*8mm screws, then fix the cover of the junction box with KM4*20mm screws.



4. Insert 3 different washers to the M8 screws in right sequence like below image then fasten the sensor into the holes on the other side of the heatsink from the junction box.



5. If installing with a reflector, for the junction box side repeat the process as above for the reflector side sensor attachment. Use a knurled thumb screw to fasten it from the bottom.



continued on next page

REMOTE CONTROL GUIDE

BUTTON

REMARKS



Press the “ON/OFF” button, the light goes to constant on or constant off mode; sensor is disabled.

Press “RESET” or “Auto Mode” button to quit from this mode.



Press “RESET” button, all parameters are same as setting of the DIP switch.



Press “Auto Mode” button, the sensor starts to work and all parameter settings will be remained the same as the previous status before the light was switched on/off.



Press “DIM Test” button to test dimming function. Sensor will dim automatically and return to normal work mode.



The button “Test(2s) is for factory testing purpose only.

The sensor will go into test mode.

Detection sensitivity: 100%

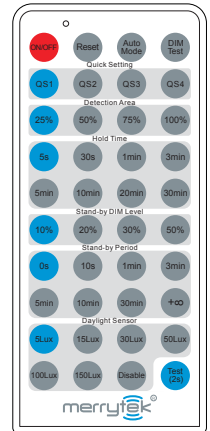
Hold time: 2 sec

Stand-by Dim level: 10%

Stand-by period: 0 sec

Daylight sensor: Disable

Test mode can be quit by pressing any button.

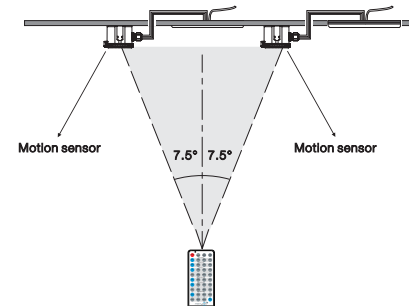


Scene Options	Detection Area	Hold Time	Stand-by Period	Stand-by Dim Level	Daylight Sensor
QS1	100%	30s	1min	10%	5Lux
QS2	100%	1min	3min	10%	10Lux
QS3	100%	5min	10min	10%	30Lux
QS4	100%	10min	30min	10%	Disable

Note: Detection area / Hold Time / Stand-by Period / Stand-by Dim Level / Daylight Sensor can be adjusted by pressing corresponding button. The latest setting stays in validity.

As the control angle of the Infrared Remote Control is fixed (15°), if sensors are installed too close to each other, settings of both sensors will be configured. Please refer to the below chart for the distance of the installation of the sensor:

Mounting Height	Distance Between Sensors
15m	4m
12m	3.4m
9m	2.4m
6m	1.6m
3m	0.8m



These instructions are not intended to cover all details or variations in your equipment or your particular requirements for installation, operation or maintenance. Should further information on this product be needed that is not covered by these general installation instructions, please contact the TCP Customer Service Department at phone number 800-324-1496 for further assistance.

SAVE THESE INSTRUCTIONS

TCP®

325 Campus Dr. | Aurora, Ohio 44202 | P: 800-324-1496 | tcp.com

©TCP JUN 2020/WF206257