

## Applications

TCP's surface mount kits are an accessory designed especially for TCP DT Series Panels. These kits provide an aesthetically pleasing style and a low-profile silhouette. Ideal for field installation on insulated or non-insulated sheet rock ceilings.

## Construction

- Durable aluminum frame
- Post-painted in white powder coat paint
- Easy-to-assemble for quick field installation
- Low-profile design
- Can accommodate TCP LED Panels with or without emergency back-up option



### Listing

RoHS Compliant

### Warranty

Five year limited warranty against defects in manufacturing

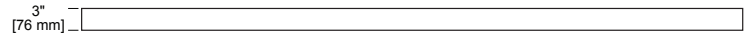
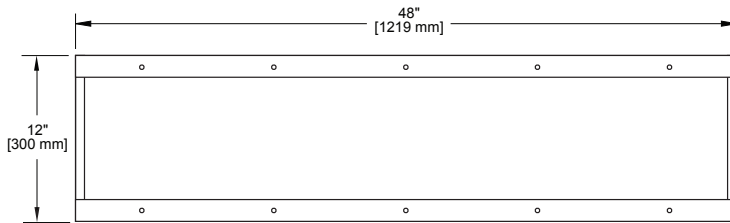
## Catalog Ordering Matrix (kits ordered as accessory sold separately)

TCP Item #	SIZE	DIMENSIONS (L x W x D)	FINISH	TCP TROFFER COMPATIBILITY (TCP Model #s)
DTSK1	1x4	48" 12" x 3" (1219mm x 300mm x 76mm)	White	DTF1 FP1 TCPFP1 TCPFP1EB
DTSK2	2x2	24" x 24" x 3" (609mm x 609mm x 76mm)	White	DTF2 FP2 TRV2 TCPFP2 TCPFP2EB
DTSK4	2x4	48" x 24" x 3" (1219mm x 609mm x 76mm)	White	DTF4 FP4 TRV4 TCPFP4 TCPFP4EB

For the most up-to-date specs and warranty information, please visit [www.tcpi.com](http://www.tcpi.com)

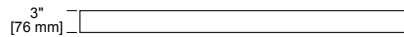
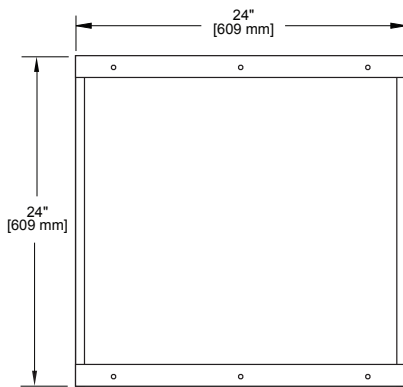
## Dimensions and Weight:

### DTSK1 – 1x4 Kit



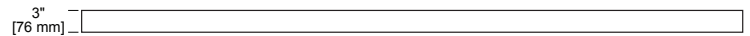
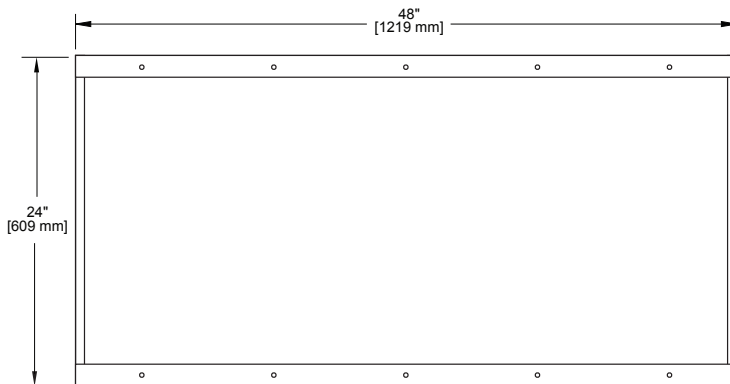
Length: 48" (1219mm)  
 Width: 12" (300mm)  
 Depth: 3" (76mm)

### DTSK2 – 2x2 Kit



Length: 24" (609mm)  
 Width: 24" (609mm)  
 Depth: 3" (76mm)

### DTSK4 – 2x4 Kit



Length: 48" (1219mm)  
 Width: 24" (609mm)  
 Depth: 3" (76mm)

# TECHNOLOGY CAST IN A BEAUTIFUL LIGHT

For over 20 years, TCP has been designing, developing and delivering energy-efficient lighting into the market. Thanks to our cutting-edge technology and manufacturing expertise, we have shipped billions of high quality lighting products. With TCP, you can count on a lighting product that is designed to meet the needs of the market - that transforms your surroundings and envelopes you in warmth - lighting that generates beauty with every flip of the switch.

Sales:

Date:

Model:

Project:

Rep:

Catalog Number:

Type:

Notes:



For more information on the quality and care TCP can deliver, call us at **800.324.1496** or visit [tcp.com](http://tcp.com)

325 Campus Dr. | Aurora, Ohio 44202 | P: 800.324.1496 | F: 877.487.0516