



INSTALLATION INSTRUCTIONS

LED Magnetic Retrofit Kit Luminaires

Type C LED Strip and LED Driver Kit

IMPORTANT: Install by Qualified Electrician. Please read instructions before proceeding with installation. Keep these instructions for future reference.

WARNING

RISK OF FIRE OR ELECTRIC SHOCK

- Luminaire wiring and electrical parts may be damaged when drilling for installation of LED retrofit kit. Check for enclosed wiring and components.
- LED Retrofit Kit installation requires knowledge of luminaires electrical systems. If not qualified, do not attempt installation. Contact a qualified electrician.
- Install this kit only in luminaires that have the construction features and dimensions shown in the photographs and/or drawings and where the input rating of the retrofit kit does not exceed the input rating of the luminaire.
- Wiring connections should be made with UL approved wire connectors.
- To prevent wiring damage or abrasion, do not expose wiring to edges of sheet metal or other sharp objects.
- Only those open holes indicated in the photographs and/or drawings may be made or altered as a result of kit installation. Do not leave any other open holes in an enclosure of wiring or electrical components.
- This retrofit kit is accepted as a component of a luminaire where the suitability of the combination shall be determined by authorities having jurisdiction.

IMPORTANT SAFEGUARDS

READ AND FOLLOW ALL SAFETY INSTRUCTIONS

When using electrical equipment, basic safety precautions should always be followed including the following:

- Do not use outdoors.
- Do not let power supply cords touch hot surfaces.
- Do not mount near gas or electric heaters.
- The use of accessory equipment not recommended by the manufacturer may cause an unsafe condition.
- Do not use this equipment for other than its intended use.

SAVE THESE INSTRUCTIONS

ATTENTION

- Installation to be performed by factory trained or qualified personnel. Ensure these instructions are provided to the installers and users.
- Use this product only in the manner intended by the manufacturer. If there are any questions or concerns, contact the manufacturer.
- This strip is designed for indoor application only, and should not be used in environment of high temperature and high humidity.
- Do not operate LED strips without the corresponding LED driver.
- Suitable for damp location.

THIS PRODUCT MUST BE INSTALLED IN ACCORDANCE WITH THE APPLICABLE INSTALLATION CODE BY A PERSON FAMILIAR WITH THE CONSTRUCTION AND OPERATION OF THE PRODUCT AND THE HAZARDS INVOLVED.

continued next page

MAINTENANCE/LAMP REPLACEMENT

Contact qualified electrician for the maintenance service. Order any replacement parts individually with the exact same model number. For any questions or concerns contact the manufacturer.

The units covered by this report are intended to retrofit surface mount, Type IC or non-IC recessed mount listed fluorescent luminaires that use maximum 2 straight LED module with or without a diffuser, the minimum dimension of luminaires are tabulated below:

MODEL NUMBER	MINIMUM LAMP COMPARTMENT DIMENSIONS	MAXIMUM NUMBER OF LED MODULE
RK24D16001**#, RK24D20001**#, RK24D32001**#, RK24D40001**#	1190 mm x 205 mm x 79 mm	2
RK22D16001**#, RK22D20001**#, RK22D32001**#, RK22D40001**#	549 mm x 205 mm x 73 mm	2

The LED Module are provided with power connections to the remote class 2 LED Driver ARCATA ELECTRONICS INC (E364986, Listed). The drivers are as shown below:

MODEL NO.	DRIVER MODEL NO.	NUMBER OF LED MODULE	LED MODULE MODEL NO.
RK24D16001**#	SLE 20-I500 120-277 W D1 R	1	RKS2416001**#
RK24D20001**#	SLE 20-I500 120-277 W D1 R	1	RKS2420001**#
RK24D32001**#	SLE 40-I1000 120-277 W D1 R	2	RKS2416001**#
RK24D40001**#	SLE 40-I1000 120-277 W D1 R	2	RKS2420001**#
RK22D16001**#	SLE 20-I500 120-277 W D1 R	1	RKS2216001**#
RK22D20001**#	SLE 20-I500 120-277 W D1 R	1	RKS2220001**#
RK22D32001**#	SLE 40-I1000 120-277 W D1 R	2	RKS2216001**#
RK22D40001**#	SLE 40-I1000 120-277 W D1 R	2	RKS2220001**#

LUMINAIRE INSTALLATION

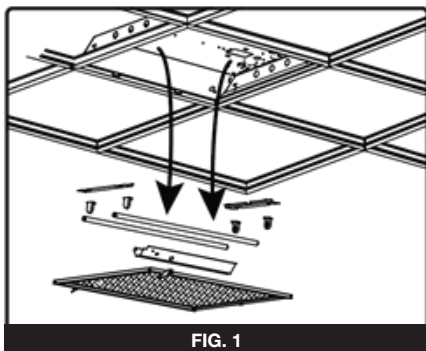


FIG. 1

Step 1: Ensure that the power to the circuit being worked on is shut off by opening the breaker prior to beginning ninstallation of this lighting kit.

Remove from the existing fixture any lens or louver, all existing lamps, ballast, and lampholder sockets,if applicable.

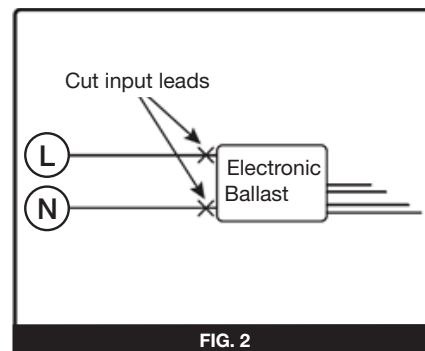


FIG. 2

Step 2: Cut the Line and Neutral wires leading into the existing ballast and leave enough length to make the connection reach the intended location of the LED external driver (B).

continued next page

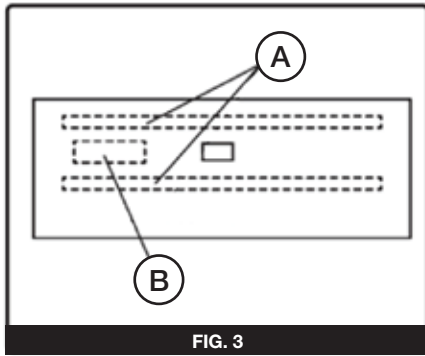


FIG. 3

Step 3: Prior to installation of this kit, carefully plan out each LED magnetic strip (A) positioning and layout relative to the intended mounting location of the external driver (B). Route the input wires of the LED magnetic strip (A) to ensure that all input leads will be able to reach the external driver (B) without interference with host fixture structural parts. The LED magnetic strips will need to have contact with sufficient ferrous metal surface.

Depending on the kit, 1 or 2 LED magnetic strips (A) may be provided.

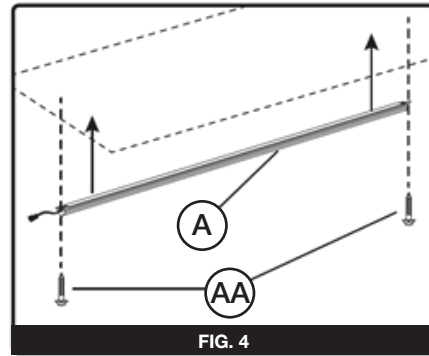


FIG. 4

Step 4: Attach the LED magnetic strips (A) to the intended mounting surface, secure each strip with 2 self-tapping screws (AA) at both ends. Check to ensure that no wires or building plumbing are located behind the screw locations.

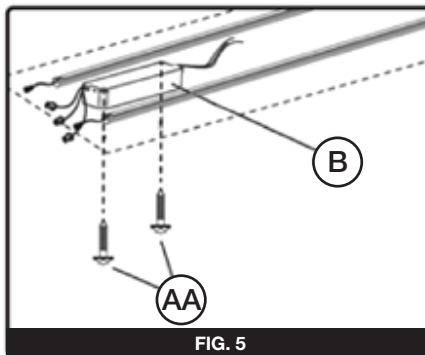


FIG. 5

Step 5: Hold the external driver (B) up against the mounting surface and use a power drill with philips bit to secure the external driver (B) using two self-tapping screws (AA). Check to ensure that no wires or building plumbing are located behind the screw locations.

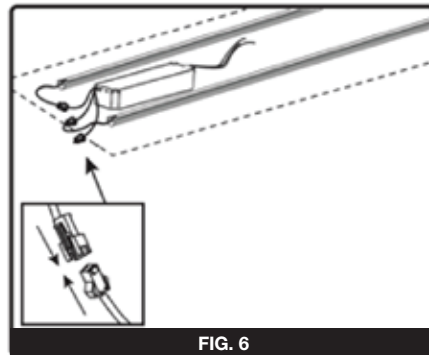


FIG. 6

Step 6: Connect each input lead connector of the LED magnetic strip (A) to the output lead of the external driver (B).

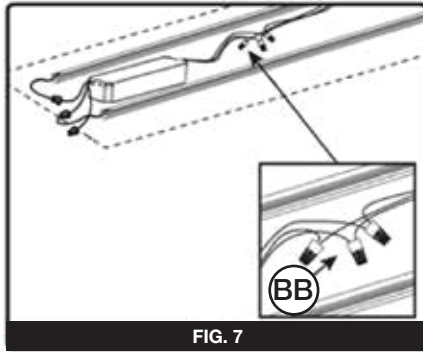


FIG. 7

Step 7: Connect the fixture wires to the supply wires—black to black, white to white, and green to copper / bare.

WARNING: If there is no ground supply wire, stop installation and consult a qualified electrician. Once wire connections are made, secure each with a wire nut.

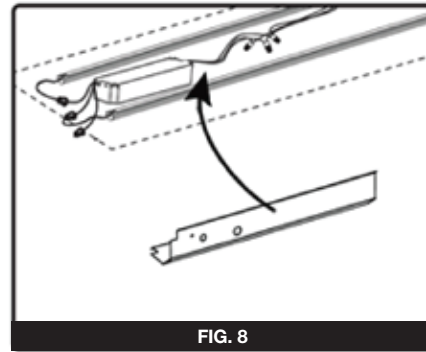


FIG. 8

Step 8: Replace any wiring compartment covers or housing pieces so that all wiring connections (wire nuts and quick disconnects) are tucked away from contact.

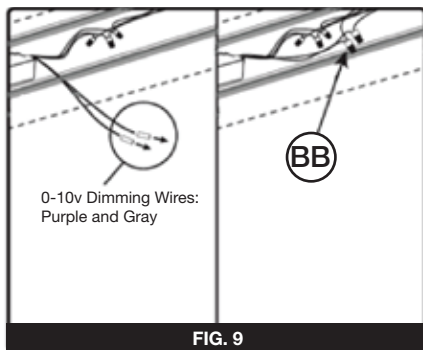


FIG. 9

Step 9: OPTIONAL: If dimming is desired and the building is supplied with appropriate 0-10V dimming lines, remove the heat shrink tubing wrap from the ends of the purple and gray dimming wires and make the connections to the respective purple and gray signal wires using wire nuts (BB).

These instructions are not intended to cover all details or variations in your equipment or your particular requirements for installation, operation or maintenance. Should further information on this product be needed that is not covered by these general installation instructions, please contact the TCP Customer Service Department at phone number 800-324-1496 for further assistance.

SAVE THESE INSTRUCTIONS