

Applications

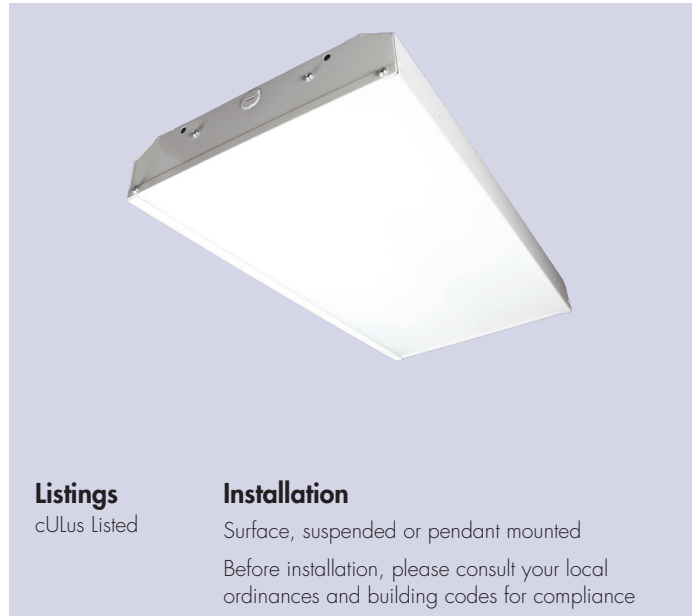
The LB by TCP LED Low Bay family is a versatile solution for endless applications. With an all metal frame, and included mounting hardware, the LB by TCP is quick to install and will provide a long lasting durable light source for years to come. For use in low ceiling locations in commercial, industrial, retail, or warehouse settings.

Features

- Post painted steel frame with no scalloping and pop riveted and rounded edge corners
- Standard frosted lens for glare control
- No shadows, smooth even lighting
- Damp location rated
- 0-10V smooth no flicker dimming
- Operating temperature: -4° to 122°F
- Wide beam spread due to angled LED design providing clean cut off

Hardware Included

- 2 Top Hangers
- 5' Jack Chains
- Hub Mount Kit for 3/4" Conduit/Stem Mount
- 6-Foot Prewired Cord



Listings
cULus Listed

Installation

Surface, suspended or pendant mounted
Before installation, please consult your local ordinances and building codes for compliance

Catalog Ordering Matrix Example: LB5600135

LB	56	001		
FAMILY	WATTS ¹²	VOLTAGE	COLOR TEMPERATURE	OPTIONS
LB – LED Linear Low Bay	56 – 6700 Lumens	001 – 120-277V	35 – 3500K 40 – 4000K 50 – 5000K	(see below)

Accessories:

Item Number	Description
GYZJ00001	Quick Snap Motion Sensor (available pre-assembled or in box)

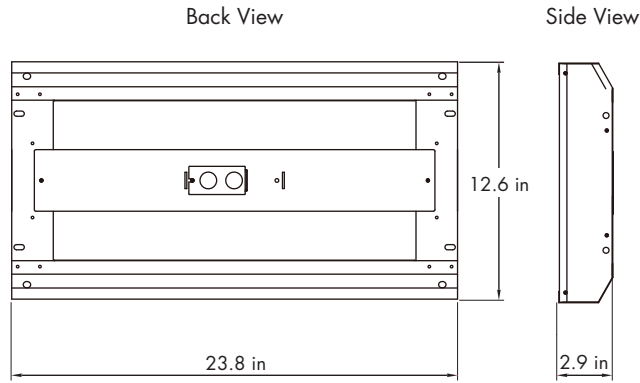
¹ Actual wattage may differ by +/- 10%.

² Approximate lumen output. Actual performance may vary based on CCT, options selected and end user application.

Items will be in QLS Packaging.

For the most up-to-date specs and warranty information, please visit www.tcpi.com

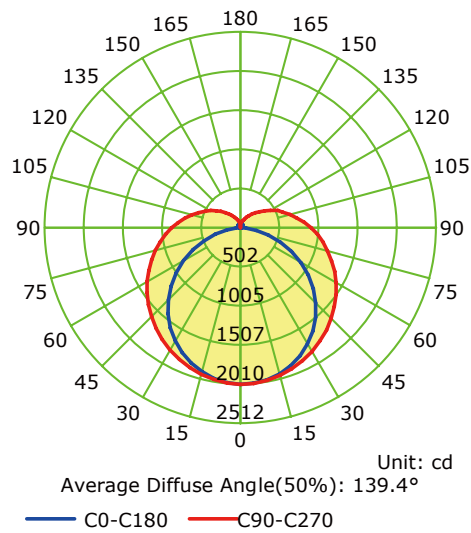
Dimensions



LB56
(23.8 x 12.6 inches)

Photometric Report

LB56001 Luminous Intensity Distribution Curve



Specifications and dimensions subject to change without notice.