

Hanging Accessories

by TCP

YHANGER6PK

Applications

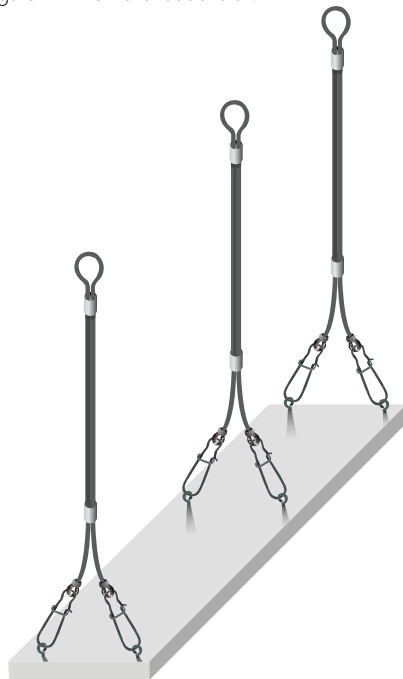
The YHANGER6PK is a Y-Hanger with spring clips that fit through small loop supports, such as on the back of a flat panel or troffer. It is meant for indoor applications where an easy-to-install cable hanger is needed to mount a luminaire. The YHANGER is NOT suitable for use in chlorinated / swimming pool environments.

Features

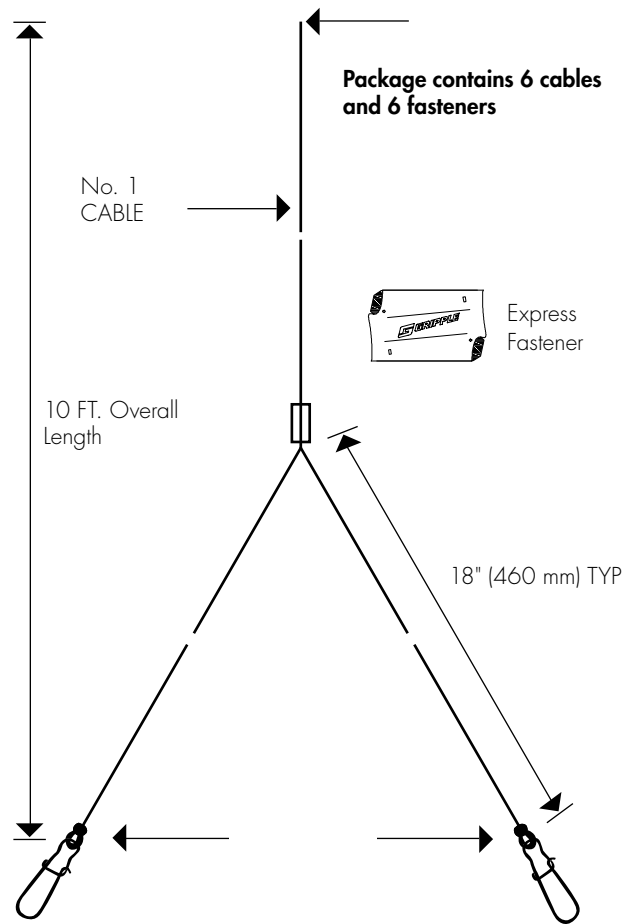
- Spring clips fit through small loops
- Galvanized high tensile steel cable to EN12385
- 10 foot overall length
- Zinc plated spring clips
- ROHS compliant
- Cable Diameter (in.): 1.16
- Strand configuration: 7x7
- Min. breaking load (lbs): 125
- Max. safe working load (lbs): 25
- Tensile strength (lbs/sq. in.): 256,700

Application Examples

Angle between legs of 'Y' not to exceed 60°.



Luminaire
Clips hook through small loop supports



Notes:
For a 2x2 panel
or troffer use 2 cables
For a 1x4 or 2x4 panel
or troffer use 3 cables

Specifications and dimensions subject to change without notice.