

LAMP BALLAST and LINE VOLTAGE COMPATIBLE  
LED T8 Type AB Tubes

TCP's now offers LED T8 Type AB Tubes. These T8 tubes provide Direct Wire or Plug and Play application and are compatible with many Instant and Programmed Start Ballasts.

Limitless Options  
for the following applications:

- Offices
- Restaurants
- Retail Stores
- Lobbies
- Schools
- Hospitals

ETL CLASSIFIED



Intertek

RoHS  
COMPLIANT

5 YEAR  
WARRANTY

we know light.™



# LED T8 Type AB Tubes

## Features and Benefits

Bypass Application: 120-277 line voltage
Plug and Play Application: Compatible with many Instant and Programmed Start Ballasts
Instant startup
115+ lumens per watt (bare lamp line voltage efficacy)
Double ended construction for safety
Shunted or non-shunted lampholders
Highly durable plastic shatterproof available

## Specifications

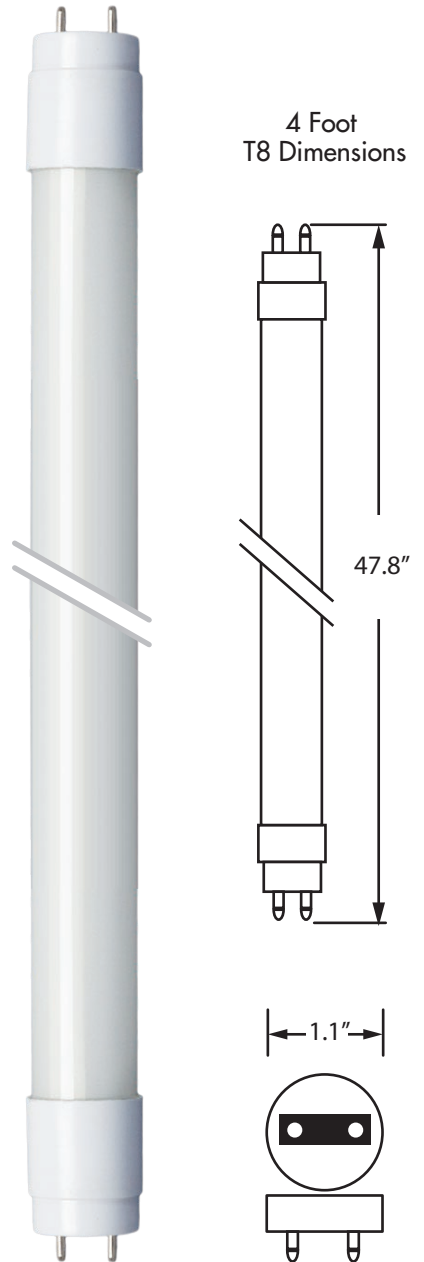
Base Type: G13
Construction: Double ended
Wattage: 15w – 16w
Operating temperature range: -20c – 45c
Safety: ETL Classified
Target Replacement Lamps: 32W/48T8
Environment: Damp/dry locations
Enclosed: Suitable for enclosed luminaires
Rated life: L70 50,000+ hours
Beam Angle: 190°
Field Angle: 300°

## Listing

ETL Classified
RoHS Compliant

## Warranty

Five years against defects in manufacturing
---



ETL CLASSIFIED



RoHS COMPLIANT

5 YEAR WARRANTY



To view our DLC qualified products, please consult the DLC Qualified Products List at [www.designlights.org/qpl](http://www.designlights.org/qpl).

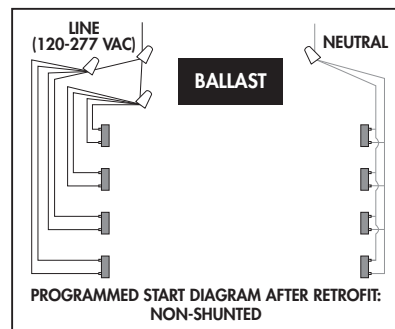
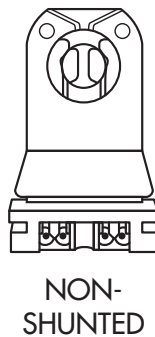
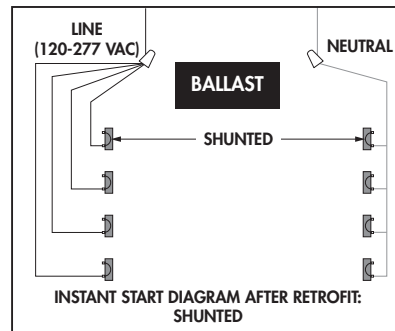
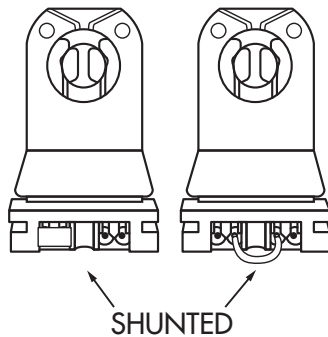
## LED T8 Type AB Tubes— Ballast and Line Voltage Compatible

Item#	DLC Model#	Description	CRI	PF	THD	Line Voltage Watts	Line Voltage Lumens	Line Voltage LPW	LBF System Watts**	NBF System Watts	HBF System Watts**	LBF Lumens**	NBF Lumens*	HBF Lumens**	NBF System LPW
<b>LED 15 WATT T8 TUBE – 4 FOOT GLASS</b>															
LT815AB30K	T8040730E	LED 15W 4' T8 AB 30K	>80	>.9	<10%	16W	1750	109.4	13.6	15.3	22.5	1550	1760	2300	115.0
LT815AB35K	T8040735E	LED 15W 4' T8 AB 35K	>80	>.9	<10%	16W	1800	112.5	13.6	15.3	22.5	1550	1760	2300	115.0
LT815AB41K	T8040740E	LED 15W 4' T8 AB 41K	>80	>.9	<10%	16W	1800	112.5	13.6	15.3	22.5	1590	1800	2400	117.6
LT815AB50K	T8040750E	LED 15W 4' T8 AB 50K	>80	>.9	<10%	16W	1800	112.5	13.6	15.3	22.5	1590	1800	2400	117.6
<b>LED 15.5 WATT T8 TUBE – 4 FOOT PLASTIC</b>															
LPT815AB30K	T8041430E	LED 15.5W 4' T8 AB PL 30K	>80	>.9	<10%	16W	1750	109.4	13.6	15.3	22.5	1550	1760	2300	115.0
LPT815AB35K	T8041435E	LED 15.5W 4' T8 AB PL 35K	>80	>.9	<10%	16W	1750	109.4	13.6	15.3	22.5	1550	1760	2300	115.0
LPT815AB41K	T8041440E	LED 15.5W 4' T8 AB PL 41K	>80	>.9	<10%	16W	1800	112.5	13.6	15.3	22.5	1590	1800	2400	117.6
LPT815AB50K	T8041450E	LED 15.5W 4' T8 AB PL 50K	>80	>.9	<10%	16W	1850	115.6	13.6	15.3	22.5	1620	1850	2450	120.9
★T8041435E	T8041435E	LED 15.5W 4' T8 AB PL 35K	>80	>.9	<10%	16W	1800	112.5	13.6	15.3	22.5	1590	1800	2400	117.6
★T8041441E	T8041440E	LED 15.5W 4' T8 AB PL 40K	>80	>.9	<10%	16W	1800	112.5	13.6	15.3	22.5	1590	1800	2400	117.6
★T8041450E	T8041450E	LED 15.5W 4' T8 AB PL 50K	>80	>.9	<10%	16W	1850	115.6	13.6	15.3	22.5	1590	1800	2400	117.6

\* Using OSRAM QTP 2x32T8/UNV ISN-SC electronic ballast.

\*\* Nominal Values. Actual values are dependent on type electronic ballast used.

★ Product in QLS packaging.





## LED T8 Type AB Compatibility Guide

Manufacturer	Model #	Type
ESPEN	VE4P32MVHIPE	INSTANT START
	VE2P32MVHIPE	INSTANT START
	VE3P32MVHIPE	INSTANT START
GE	GE232MAX-H	INSTANT START
	GE232MAXP-N	INSTANT START
	GE432MAX-H	INSTANT START
	GE432MAX-N	INSTANT START
	GEC240MAX-A	INSTANT START
	GE232MVPS-N	PROGRAMMED START
	GE232MVPS-N-V03	PROGRAMMED START
	GE332MVPS-N	PROGRAMMED START
	GE432MVPS-N-V03	PROGRAMMED START
KEYSTONE	KTEB-240-1-TP-PIC/B	INSTANT START
	KTEB-240-UV-TP-PIC	RAPID START
OSRAM	QHE 2X32 T8/UNV ISL-SC	INSTANT START
	QHE 2X32 T8/UNV ISN-SC	INSTANT START
	QTP 2X32 T8/UNV ISN-SC	INSTANT START
	QTP 3X32 T8/UNV ISN-SC	INSTANT START
	QTP4X32 T8/UNV ISN-SC	INSTANT START
	QHE 2X32 T8/UNV DIM-SC	PROGRAMMED RAPID START
	QHE 4X32 T8/UNV PSN-SC	PROGRAMMED RAPID START
PHILIPS	IOP-2PSP32-N	PROGRAMMED START
	IOP-3PSP32-SC	PROGRAMMED START
	IOP-4PSP32-SC	PROGRAMMED START
	IZT-1 32-SC	PROGRAMMED START
	REZ-2S32-SC	PROGRAMMED START
	VEZ-2S32-SC	PROGRAMMED START
PHILIPS/ADVANCE	ICN-2P32-N	INSTANT START
	IOPA-2P32-LW-N	INSTANT START
	IOPA-3P32-LW-N	INSTANT START
	IOP-3PSP32-LW-SC	PROGRAMMED RAPID START
PROLINE	GE232-120V-RES	INSTANT START
	GE240RES120-B	RAPID START
SYLVANIA	QTP 3X32T8/UNV PSX-SC	PROGRAMMED RAPID START
	MB 2X40/120 RS	RAPID START
TCP	E2P32 IS UNVLE	INSTANT START
ULTRAMAX	GE232MAX-G-N	INSTANT START
	GE232MAX-N/ULT RA	INSTANT START
	GE432MAX90-S60	INSTANT START
UNIVERSAL	B234SR120M-A0001	RAPID START