

# LED Linear Low Bay

## Applications

The LB by TCP LED High Bay family is a versatile solution for endless applications. With an all metal frame, and included mounting hardware, the LB by TCP is quick to install and will provide a long lasting durable light source for years to come.

## Features

- Post painted steel frame with no scalloping and pop riveted and rounded edge corners
- Standard frosted lens for glare control
- No shadows, smooth even lighting
- Damp location rated
- 0-10V smooth no flicker dimming
- Operating temperature: -4° to 122°F
- Wide beam spread due to angled LED design providing clean cut off

## Hardware Included:

- 2 Top Hangers
- 5' Jack Chains
- Hub Mount Kit for 3/4" Conduit/Stem Mount
- 6-Foot Pre-wired Cord

## Applications

Low ceiling locations in commercial, industrial, retail, or warehouse settings.



### Listings

cULus Listed  
RoHS Compliant  
DLC v4.3

### Warranty

Five year limited warranty against defects in manufacturing



**5** YEAR WARRANTY



Not all versions of this product are qualified on the DLC QPL. To view our DLC qualified products, please consult the DLC Qualified Products List at [www.designlights.org/qpl](http://www.designlights.org/qpl).

## Catalog Ordering Matrix Example: HB21000150

HB				
FAMILY	WATTS <sup>12</sup>	VOLTAGE	COLOR TEMPERATURE	OPTIONS
LB – LED Linear Low Bay	56 – 6700 Lumens	001 – 120-277V	35 – 3500K 40 – 4000K 50 – 5000K	(see below)

<sup>1</sup> Actual wattage may differ by +/- 10%.

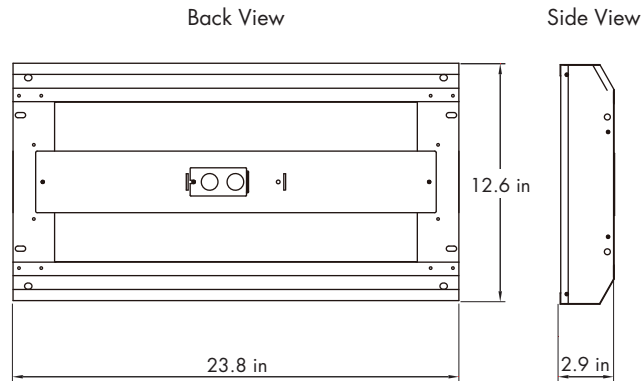
<sup>2</sup> Approximate lumen output. Actual performance may vary based on CCT, options selected and end user application.

**MOTION SENSOR** (Sold separately)

**GYZJ00001** – Quick Snap Motion Sensor  
(available pre-assembled or in box)

Items will be in QLS Packaging.

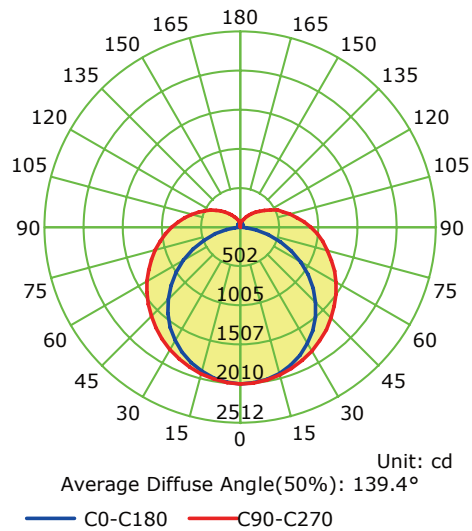
Dimensions



**LB56**  
 (23.8 x 12.6 inches)

Photometric Report

**LLB56001 Luminous Intensity Distribution Curve**



Specifications and dimensions subject to change without notice.