

LED Linear High Bay

Applications

The HB by TCP LED High Bay family is a versatile solution for endless applications. With an all metal frame, and included mounting hardware, the HB by TCP is quick to install and will provide a long lasting durable light source for years to come.

Features

- Post painted steel frame with no scalloping and pop riveted and rounded edge corners
- Standard frosted lens for glare control
- No shadows, smooth even lighting
- Damp location rated
- 0-10V smooth no flicker dimming
- Operating temperature: -4° to 122°F
- 250 or 400W HID Equivalent
- Wide beam spread due to angled LED design providing clean cut off
- Optional battery backup or motion sensors available

Hardware Included:

- 2 Top Hangers
- 5' Jack Chains
- Hub Mount Kit for 3/4" Conduit/Stem Mount
- 6-Foot Pre-wired Cord

Applications

High ceiling locations in commercial, industrial, retail, or warehouse settings.

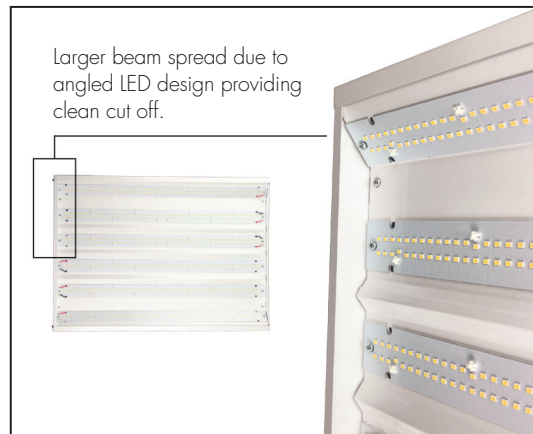


Listings

cULus Listed
RoHS Compliant
DLC v4.3

Warranty

Five year limited warranty against defects in manufacturing



5 YEAR WARRANTY



Not all versions of this product are qualified on the DLC QPL. To view our DLC qualified products, please consult the DLC Qualified Products List at www.designlights.org/qpl.

Catalog Ordering Matrix Example: HB21000150

HB FAMILY	WATTS ¹²	VOLTAGE	COLOR TEMPERATURE	OPTIONS
HB – LED Linear High Bay	105 – 13,500 Lumens 150 – 18,500 Lumens 210 – 27,500 Lumens	001 – 120-277V 002 – 347-480V	40 – 4000K 50 – 5000K	(see below)

¹ Actual wattage may differ by +/- 10%.

² Approximate lumen output. Actual performance may vary based on CCT, options selected and end user application.

MOTION SENSOR
LS1 – Factory Installed Motion Sensor

REPLACEMENT LENS PANELS
OT00040 – Replacement Lens Panels for HB10500150 & HB15000150 (available separately)

OT00040A – Replacement Lens Panels for HB21000150 (available separately)

EMERGENCY BACK-UP
B – Battery back-up

WIRE GUARDS
OT00039 – Wire Guard for HB10500150 & HB15000150 (available separately)

OT00039A – Wire Guard for HB21000150 (available separately)

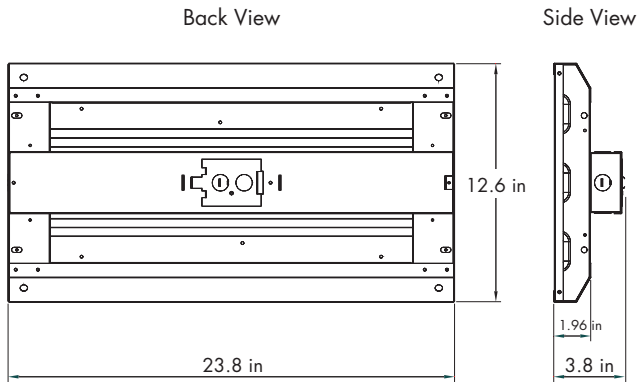
MOTION SENSOR (Sold separately)

GYZJ00001 – Quick Snap Motion Sensor (available pre-assembled or in box)

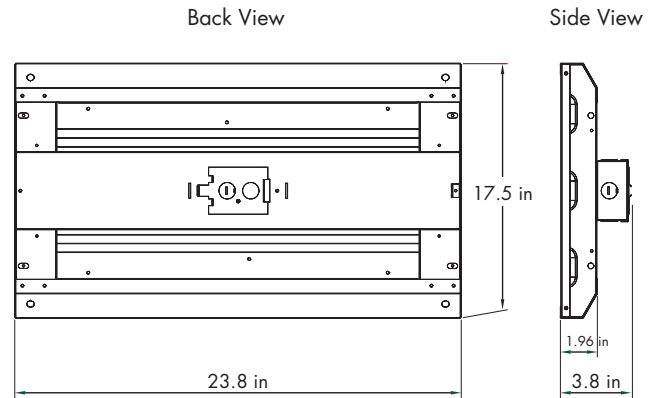
LED Linear High Bay

LED TECHNICAL DATA

Dimensions



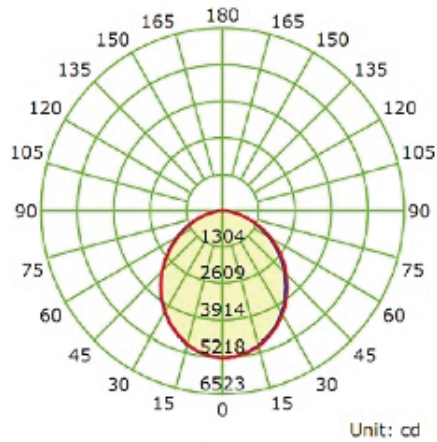
HB105 and HB150
(23.8 x 12.6 inches)



HB210
(23.8 x 17.5 inches)

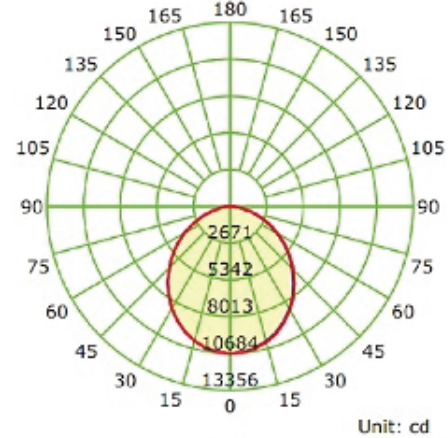
Photometric Report

HB10500150



	C0/180	C45/225	C90/270	C135/315	AVG.
Beam Angle (50% I _{beam}):	102.9	103.2	103.8	103.2	103.3
Field Angle (10% I _{beam}):	157.1	157.1	157.0	157.0	157.1

HB21000150



	C0/180	C45/225	C90/270	C135/315	AVG.
Beam Angle (50% I _{beam}):	102.8	103.0	103.3	102.9	103.0
Field Angle (10% I _{beam}):	157.1	157.1	157.1	157.2	157.1

Specifications and dimensions subject to change without notice.