

# Elements

by TCP



## LED Wall Mount OUTDOOR LUMINAIRE

### Limitless Options for the following applications:

TCP's LED wall mounted luminaire offers a stylish alternative to traditional jelly jar fixtures. It efficiently delivers bright, uniform light and a long 50,000 hour life for energy and maintenance savings over the life of the fixture.

The sleek die-cast aluminum housing is IP65 wet location rated and incorporates a slim, high-impact lens to protect the LEDs and minimize glare. An integrated photosensor comes standard for dusk-to-dawn control. The luminaire easily mounts directly to the recessed junction box using the included quick-mount plate.

- Entrances
- Security Lighting
- Pathways
- Perimeters



5 YEAR  
WARRANTY

we know light.™

# LED Wall Mount - Outdoor Luminaire

## Features/Benefits

Up to 83% less energy than traditional metal halide	Instant energy savings and potential rebate eligibility
Long 50,000 hour rated life	Minimizes replacements and labor costs
Integrated 120-277V photosensor	Comes standard; provides dusk-to-dawn control
Mercury free	Great for all environments
Die-cast aluminum housing with high-impact polycarbonate lens	Protects LEDs; minimizes glare; optional lens styles available to update fixture design to meet aesthetic needs
UL approved for wet locations	Suitable for outdoor installation
Surface mount	Easy installation and retrofit application

## Specifications

Input Line Voltage	120-277 / 347 VAC
Input Line Frequency (Hz)	50/60HZ
Lumens / Wattage	1400L (12W)
Lumens per Watt (LPW)	116 LPW
Color Temperature (CCT)	5000K
Dimming	n/a
Controls	Integrated 120-277V photosensor (standard)
Rated Life	>50,000 hours
Operating Temperature	-40°C to 40°C
CRI	70+
Power Factor	>0.9
THD	<20%

## Warranty

Five year limited warranty against defects in manufacturing

## Replacement Comparison

Type	Wattage	Energy Savings (%)
<b>TCP 1400L LED Wall Pack</b>	<b>12W</b>	<b>-</b>
50W Metal Halide	70W	83%



### Applications

TCP's LED Wall Mount lights deliver bright, uniform light, long life, energy savings and low maintenance. The long 50,000 hour rated life significantly decreases maintenance labor and material costs over the life of the fixture. Applications include entrances, pathways, perimeters and security lighting.

### Construction

- Heavy duty die-cast aluminum housing
- Durable UV stabilized powder coat finish
- Mounts to standard junction box
- Unique quick mount design for easy installation
- Stylish alternative to traditional jelly jar fixtures

### Electrical

- Integrated 120-277V photosensor for dusk-to-dawn control
- System rated for long 50,000 hour rated life
- cULus wet location rated

### Optics

- Durable frosted polycarbonate lens
- Glare-free light distribution



#### Listings

cULus Listed – wet location rated  
RoHS Compliant

#### Warranty

Five year limited warranty against defects in manufacturing

#### Installation

Surface mounted  
Before installation, please consult your local ordinances and building codes for compliance

### Lumen Maintenance

Lumen Maintenance Factor (LMF)			
36,000 hours <sup>1</sup>	50,000 hours <sup>1</sup>	100,000 hours <sup>2</sup>	Reported L <sub>70</sub> (hours) <sup>1</sup>
95.10%	93.32%	87.24%	>84,000

<sup>1</sup> IESNA TM-21-11 projected value based on 6X IESNA LM-80-08 total test duration of 14,000 hours.

<sup>2</sup> IESNA TM-21-11 calculated value exceeds 6X IESNA LM-80-08 total test duration of 14,000 hours.

## Catalog Ordering Matrix

BRAND	PRODUCT ID	VOLTAGE	LUMENS PACKAGE (Power) <sup>12</sup>	CCT	COLOR	CONTROLS
TCP	WMF – LED Wall Mount Flat	UNI – 120-277V 3 - 347V*	14 – 1400 Lumens (12W)	50K – 5000K Other*	BRZ – Bronze Other*	PC – Photocell

\* Special Order – consult manufacturer for minimum ordering quantity and lead times.

## Performance Data

Item#	Wattage <sup>1</sup>	Lumens <sup>2</sup>	LPW	CRI	CCT (K)	DISTRIBUTION TYPE	B	U	G
TCPWFMFU1450KBRZPC	12	1400	116	70+	5000K	Type II - Very Short	1	2	1

<sup>1</sup> Actual wattage may vary by +/- 10%.

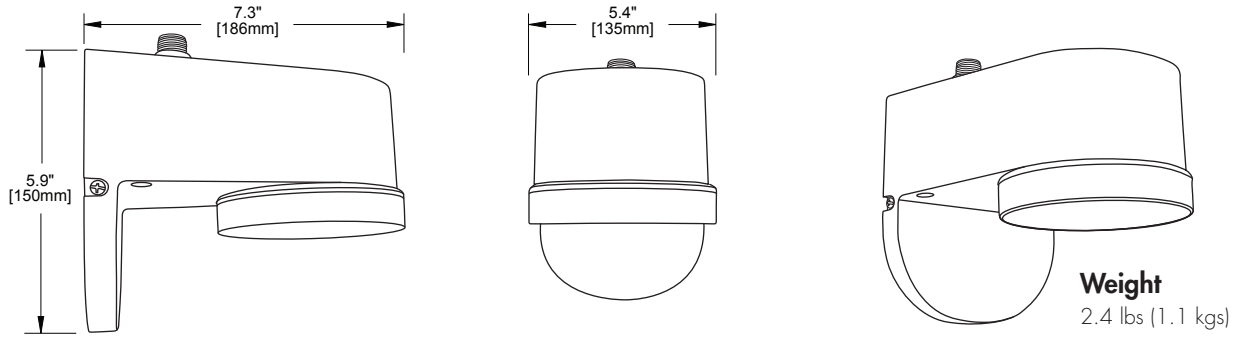
<sup>2</sup> Approximate lumen output. Actual performance may vary based on CCT, options selected and end user application.

For the most up-to-date specs and warranty information, please visit [www.tcpi.com](http://www.tcpi.com)

# LED Wall Mount - Outdoor Luminaire

## LED TECHNICAL DATA

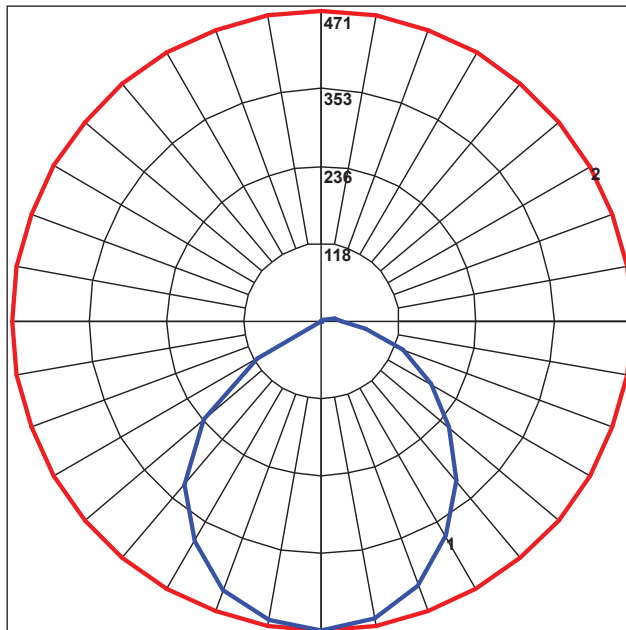
### Dimensions



### Photometric Report

Based on photometric data for  
TCP Item # **TCPWMFU1450KBRZPC**

#### Polar Graph



Maximum Candela = 471.22 Located At Horizontal Angle = 0, Vertical Angle = 0  
# 1 - Vertical Plane Through Horizontal Angles (0 - 180) (Through Max. Cd.)  
# 2 - Horizontal Cone Through Vertical Angle (0) (Through Max. Cd.)