

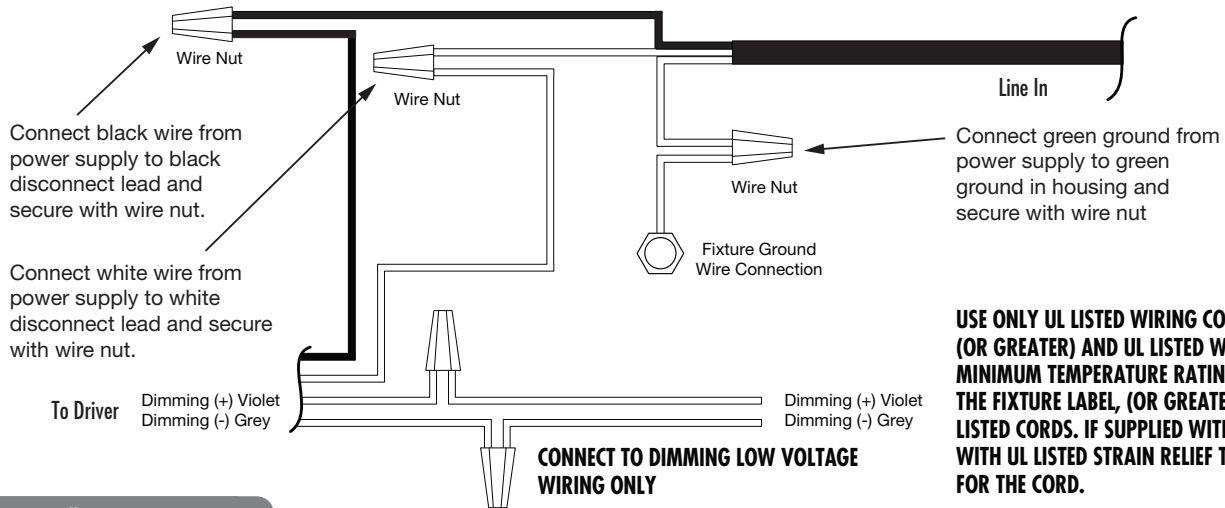
Please read instructions before proceeding with installation.

0-10V DIMMING

Precautions:

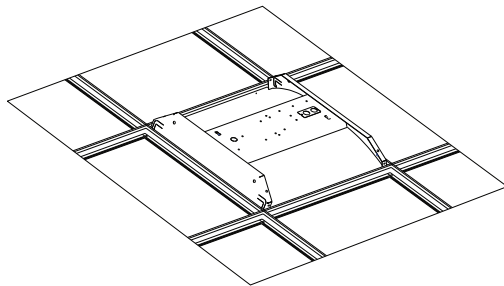
1. Do not touch or press LEDs against any surface as this can cause damage. Damaged LEDs may not light and can disrupt the flow of power.
2. **DANGER — RISK OF SHOCK — DISCONNECT POWER BEFORE INSTALLATION!**
3. Handle fixture with care to avoid possible cuts or abrasions from exposed edges. TCP suggests using work gloves when installing fixture.
4. Check fixture for cuts or loose connections which could have occurred during shipment. If any are found, they must be repaired before proceeding.
5. To help reduce the risk of electric shock, TCP strongly recommends using a sturdy wooden or fiberglass ladder and rubber soled shoes during the installation of the fixture.
6. This product must be installed in accordance with National Electrical Code (NEC) and/or applicable local codes, by a qualified licensed electrician.
7. Fixture must be grounded.
8. Be certain wire nuts are tight and no bare wires are exposed outside of the wire nuts. If needed, wrap in electrical tape.

Wiring Instructions

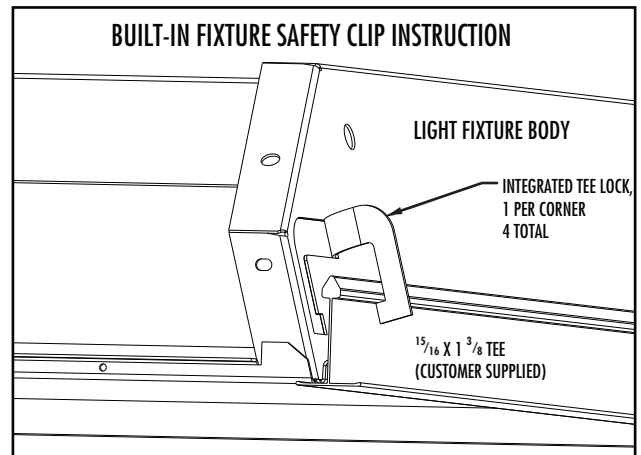
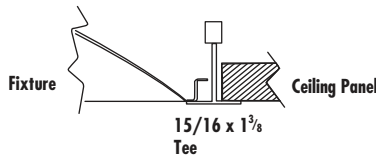


USE ONLY UL LISTED WIRING CONNECTORS 105° (OR GREATER) AND UL LISTED WIRING HAVING A MINIMUM TEMPERATURE RATING AS SHOWN ON THE FIXTURE LABEL, (OR GREATER). USE ONLY UL LISTED CORDS. IF SUPPLIED WITH A CORD USE WITH UL LISTED STRAIN RELIEF THAT IS RATED FOR THE CORD.

Fixture Installation



- Step 1: Remove the fixture from its shipping packaging.
- Step 2: Install troffer into ceiling frame as seen below; fixture is not intended to be suspended.
- Step 3: Remove a knock out in access plate.
- Step 4: Connect wires as shown above.



These instructions are not intended to cover all details or variations in your equipment or your particular requirements for installation, operation or maintenance. Should further information on this product be needed that is not covered by these general installation instructions, please contact the TCP Customer Service Department at phone number 800-324-1496 for further assistance.

SAVE THESE INSTRUCTIONS