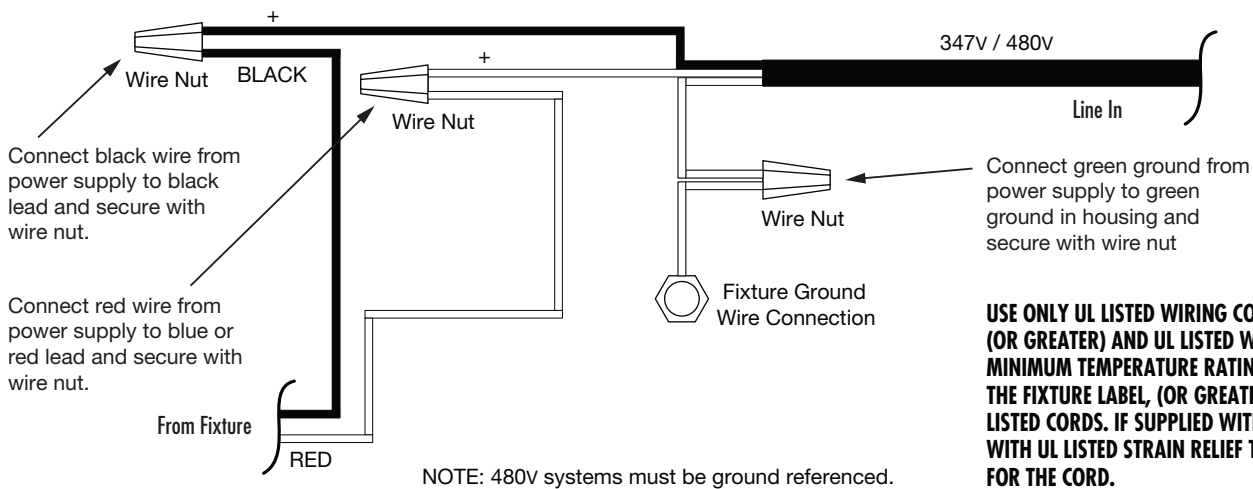


## Please read instructions before proceeding with installation.

### Precautions:

1. Handle fixture with care to avoid possible cuts or abrasions from exposed edges. TCP suggests using work gloves when installing fixture.
2. **DANGER—RISK OF SHOCK—DISCONNECT POWER BEFORE INSTALLATION!**
3. Check fixture for cuts or loose connections which could have occurred during shipment. If any are found, they must be repaired before proceeding.
4. To help reduce the risk of electric shock, TCP strongly recommends using a sturdy wooden or fiberglass ladder and rubber soled shoes during the installation of the fixture.
5. This product must be installed in accordance with National Electrical Code (NEC) and/or applicable local codes, by a qualified licensed electrician.
6. Fixture must be grounded.
7. Be certain wire nuts are tight and no bare wires are exposed outside of the wire nuts. If needed, wrap in electrical tape.
8. **CAUTION**—This equipment will have more than one power supply connection point. Disconnect all supplies before servicing.

### Wiring Instructions



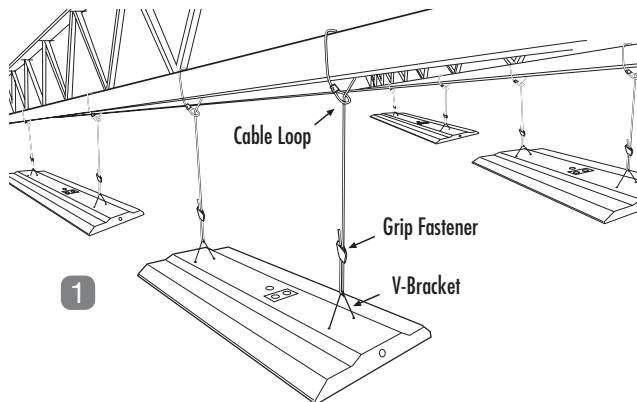
### Fixture Installation

Step 1: Remove the fixture from its shipping packaging.

Step 2: Suspend luminaire by chain, cable, hook, or monopoint with appropriate accessories. (not provided)

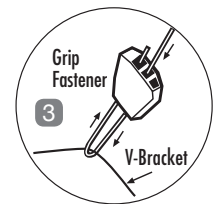
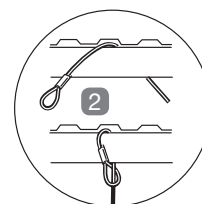
Step 3: Remove a knock out in access plate.

Step 4: Connect wires as shown above.



EZHANGER Installation Instructions (sold separate)

- 1 Attach V-Bracket to fixture body through pre-punched holes.
- 2 Loop cable around strut, joist, eye-bolt or solid ceiling structure.
- 3 Feed cable through grip fastener and adjust to desired mounting height.



These instructions are not intended to cover all details or variations in your equipment or your particular requirements for installation, operation or maintenance. Should further information on this product be needed that is not covered by these general installation instructions, please contact the TCP Customer Service Department at phone number 800-324-1496 for further assistance.

## SAVE THESE INSTRUCTIONS