

## APPLICATION and PERFORMANCE SPECIFICATION

- Energy saving high efficiency program start electronic ballast (> 90%)
- Multi-voltage technology handles voltage from 120 to 277v
- Anti-Striation Control for better light quality, with no striations
- Active Power Factor Correction - Ballast regulates the output to each lamp with individual lamp inverter modules



## GENERAL CHARACTERISTICS

Application	3 or 2 F32T8 120 to 277v 0.77 BF
Ballast Type	Electronic – High Efficiency Multivolt Program Start
Starting Method	Program Start
Lamp Wiring	Parallel
Line Voltage Regulation (+/-)	10%
Ambient Temp . (Max)	105°F 41°C
Case Temp (Max)	167°F 75°C
Ballast Factor	Low (0.77)
Sound Rating	A
Supply Current Frequency	50 Hz/60 Hz

## DIMENSIONS

Case Dimensions	
Length (L)	9.5 in
Width (W)	1.7 in
Height (H)	1.18 in
Lead Lengths	
White, Black	25 in
Red, Blue, Red/White	31 in
Yellow	37 in
Weight	1.7 lbs.
Exit Type	Side
Remote Mounting Distance to lamp	18 ft. maximum
Remote Mounting Wire Gauge	18 AWG
Case Quantity	10
UPC	762148227861

Lamp Type	Line Volt.	Num. of Lamps	Rated Lamp Watts	Min. Start Temp. (°F/°C)	Input Current (Amps)	Input Power (Watts)	MAX. THD%	Power Factor	Ballast Factor	MAX. Lamp Current Crest Factor	B.E.F.
<b>F32T8</b>	120	3	32	-20 / -29	0.65	76	10	0.97	0.77	1.70	1.01
		2	32	-20 / -29	0.52	61	10	0.97	0.88	1.70	1.44
	277	3	32	-20 / -29	0.28	75	10	0.98	0.77	1.70	1.03
		2	32	-20 / -29	0.22	60	10	0.97	0.88	1.70	1.47
<b>F28T8</b>	120	3	28	-20 / -29	0.56	65	10	0.97	0.77	1.70	1.18
		2	28	-20 / -29	0.44	52	10	0.98	0.88	1.70	1.69
	277	3	28	-20 / -29	0.24	64	10	0.97	0.77	1.70	1.20
		2	28	-20 / -29	0.19	52	10	0.97	0.88	1.70	1.69
<b>F25T8</b>	120	3	25	-20 / -29	0.50	58	10	0.98	0.77	1.70	1.33
		2	25	-20 / -29	0.39	46	10	0.99	0.88	1.70	1.91
	277	3	25	-20 / -29	0.21	58	10	0.97	0.77	1.70	1.33
		2	25	-20 / -29	0.17	46	10	0.96	0.88	1.70	1.91
<b>F17T8</b>	120	3	17	-20 / -29	0.34	40	10	0.99	0.77	1.70	1.93
		2	17	-20 / -29	0.28	33	10	0.99	0.88	1.70	2.67
	277	3	17	-20 / -29	0.15	40	10	0.96	0.77	1.70	1.93
		2	17	-20 / -29	0.13	34	10	0.94	0.88	1.70	2.59

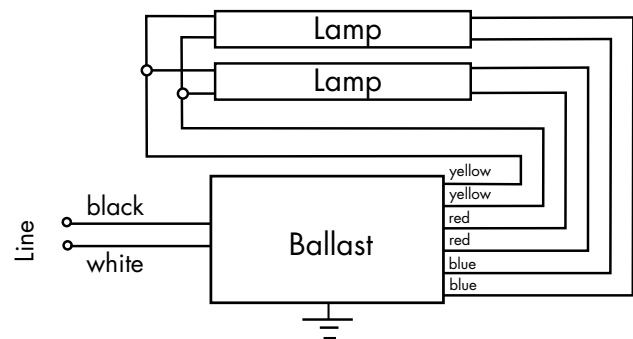
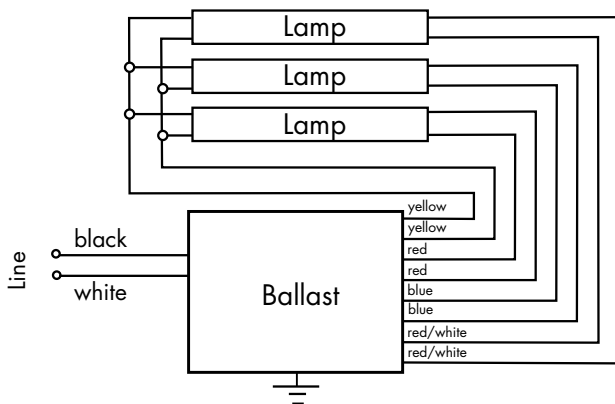
Note: the above data is tested at 60Hz.  
 Application and Performance Specification Information Subject to Change without Notification.  
 Fully meets UL&cUL safety standards.

## PERFORMANCE

- Meets ANSI Standard C82.11-1993
- Meets ANSI Standard C62.41-1991
- Meets FCC Part 18 (Class A) for EMI and RFI
- Meets NEMA Premium

## SAFETY

- No PCB's
- UL / cUL Listed (Class P, Type 1 Outdoor)
- OCV 600V
- RoHS Compliance



Note: For two lamp application, cap any unused leads. Insulate to 600 volts.