



Cold Cathode Lamp Specifications

Flat Par Shaped Cold Cathode Lamps

25,000 Hours
average rated life

Applications:

Replaces less often, ideal for hard to reach places.

Replaces Incandescent for:

- + Down Lights
- + Recessed Cans
- + Track Lights

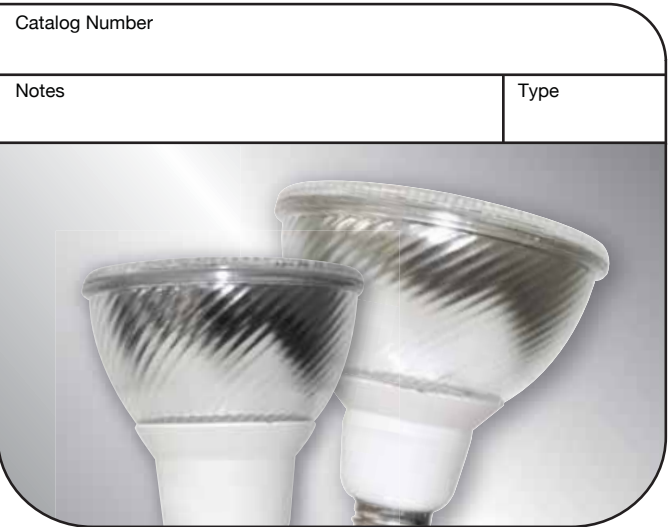
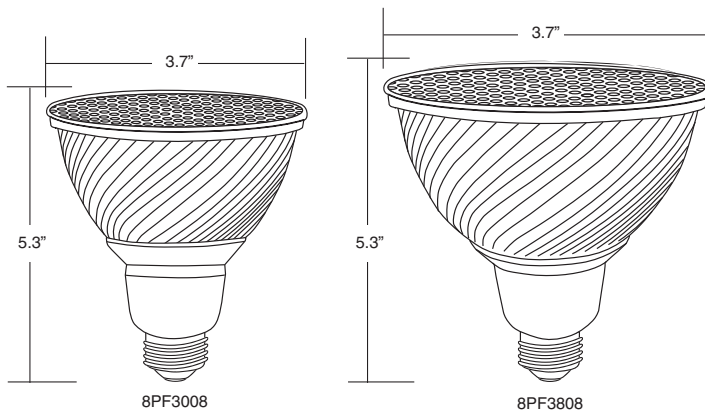


Special Application Options: (Ordering Suffix)

- 4100K (41K)
- Bulk Packed (BULK100)
- Tip Base (PERM)

Features and Benefits

- Long life: 25,000 hours.
- Cold Cathode lamps are excellent for dimming and rapid cycling applications.
- Replaces 15W to 40W incandescent lamps, saving up to 25 watts/bulb.




Specifications (at full brightness)

Ballast Type	Electronic
Starting Method	Low voltage soft strike
Input Line Voltage	120VAC
Input Line Frequency	50/60HZ
Lamp Life (rated)	25,000 Hours
Color Temperature	2700°K or 4100°K
Color Rendering Index	82
Minimum Starting Temperature	-20°F, -29°C
Maximum Operating Temperature	160°F, 71°C
U.L. / C.U.L. Listed	Yes – E149698
FCC Compliance	47 CFR Part 18
Lamp Operating Frequency	45 KHZ
Lamp Current Crest Factor	<1.60
Total Harmonic Distortion	<33%
High Power Factor Rated	>.90

Special Application Notes

- UL approved for wet location in Base Up position only. Base Up position is defined as screw base in a 12:00 position. Any other base position must be in a UL approved weatherproof fixture.

Warranties and Certifications:	Item #	Wattage	Description	Lamp Shape	M.O.L. (inches)	Diameter (inches)	Input Line Current	Initial Lumens	Base Type
 2 YEAR WARRANTY TCP reserves the right to void the warranty for any mis-application of these products.	8PF3008	8	Cold Cathode Flat Par	PAR30	4.9	3.7	.026A	300	E26
	8PF3808	8	Cold Cathode Flat Par	PAR38	5.3	4.8	.026A	300	E26

