



# Polycarbonate "Bug Eye" Combination Units Specification

## Exit Signs

120 or 277 Voltage, Damp Location

### Features and Benefits:

- Injection-molded thermoplastic ABS housing
- Remote capable - unit comes with 2 X 4.5ah 6V sealed lead acid batteries offering the ability to power additional remote heads (up to 6V 12W).
- UL 94V-0 flame rating
- Innovative, snap-together design allows for fast installation
- Low power consumption - 3.8 watts at normal operation, 15 watts at emergency operation
- Two flush mounted fresnel lenses maximize light output and provides glare free light distribution
- Wall or ceiling mounting
- Emergency lights can be adjusted, side to top mounting.
- Easily removed mounting knock-outs and J-box pattern on back panel
- 120/277 VAC dual voltage operation
- Test switch and charge rate indicator
- 2 X 6V 5.4W DC T5 wedge lamps for emergency mode
- Battery delivers more than 90 minutes capacity to emergency lamps
- 24 hours recharge after 90 minutes discharge
- Low voltage battery disconnection preventing deep discharge damage to the battery
- Operating temperature range of 10°C to 40°C
- UL Listed for damp location
- Meets NFPA 101 and NEC code

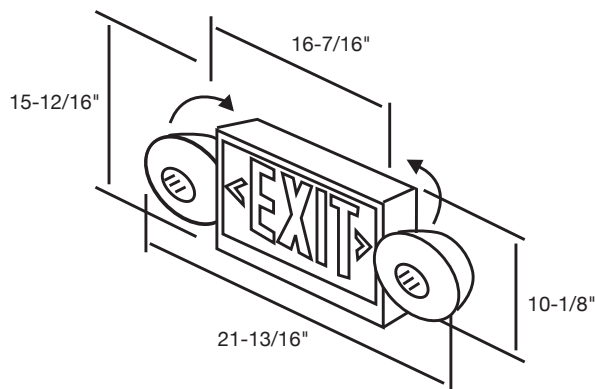
Catalog Number



Notes

Type



### Dimensions:



| Warranties & Compliances:   | Item #                                 | Description  |
|---|--|--|
|   <p>Sealed Lead Acid Battery</p> <p><b>1</b> YEAR WARRANTY</p> <p>Unit</p> <p><b>5</b> YEAR WARRANTY</p> | <b>Ordering Information:</b>           |  |
|   | 20786                                  | 2 Headed Adjustable "Bug Eye" Exit/Emergency Combo Red Letters White Housing   |
|   | 20787                                  | 2 Headed Adjustable "Bug Eye" Exit/Emergency Combo Green Letters White Housing |
|   | 20786BLK                               | 2 Headed Adjustable "Bug Eye" Exit/Emergency Combo Red Letters Black Housing   |
|   | 20787BLK                               | 2 Headed Adjustable "Bug Eye" Exit/Emergency Combo Green Letters Black Housing |
|   | <b>Accessories:</b>                    |  |
|   | 207R1                                  | Single White Remote Head 6W 6V   |
|   | 207R2                                  | Single White Remote Head 6W 6V   |
|   | 207R3                                  | Single Grey Remote Waterproof head 5.4W 6V                                     |
|   | 207R4                                  | Double Grey Remote Waterproof head 2 X 5.4W 6V                                 |
|   | 207WG                                  | Wire Guard for Exit Sign   |
|   | 207WGWH                                | White Wire Guard for Exit Sign   |
|   | 207PS                                  | Polycarbonate Shield for Exit Sign   |
| 20734   | Replacement Lead Acid Battery 6V 4.5Ah |  |
| CHEVRONPL   | Replacement White Chevron              |  |

