

Application

The Green Hi-Bay's superior lumen package is ideal for replacing traditional metal halide high bay systems. Benefits include high efficiency, 95% lumen maintenance, improved color rendering, extended lamp life, multi-level switching, instant on, dimming and improved uniformity. Suggested mounting heights from 15' – 40' with primary applications including warehousing, commercial facilities, manufacturing including warehousing, commercial facilities, manufacturing facilities, open and stack aisle applications.

Description

The fixture was designed for optimum performance using either T5 or T8 lamps. The Green Hi-Bay's 20 gauge housing is code gauge steel and all components are post painted with a glossy, high reflectance white, as well as a glossy green backbone because this fixture was designed to be environmentally friendly. Sockets include secure positioning rotating collars.

Reflector Optics

The superior beam spread optic covers from narrow aisle lighting to open area general lighting. Choice of 95% specular Miro 4 reflector and 92% white reflector, which comes with a 25 year warranty. The Green Hi-Bay reflector options include uplight or non-uplight depending on the application.

Electrical

All ballasts are class P rated and UL/CUL listed. Our ballasts are also thermally protected, sound rated and tightly secured by mounting bolts.

Finish

The baked white and green enamel finish is electrostatically applied and post painted with a glossy, highly reflective and durable paint.

Catalog Ordering Matrix

GH4	WA	6	32	UNI	H	
Family	Reflector Distribution	Lamp Quantity	Lamp Type	Voltage	Ballast Factor	Options
GH4 - 4' Green Hi-Bay	WA - White Aluminum	4	28 - (T8 28W)	UNI - (120-277)	H - (T8 High)	(See Below)
	SA - Specular Aluminum	6	32 - (T8 32W)	120	N - (T8 Normal)	
	Add U for 10% uplight	8	54 - (T5HO 54W)	277 347 480	L - (T8 Low) V - (T5HO)	

OPTIONS

Power Cords

2P - 120V, 15A, 8' Power cord w/ straight blade plug
 3P - 120V, 15A, 8' Power cord w/ twist lock plug
 4T - 120V, 20A, 10' Power cord w/ twist lock plug
 11P - 208V, 15A, 8' Power cord w/ straight blade plug
 9T - 208V, 20A, 8' Power cord w/ twist lock plug
 8P - 277V, 20A, 8' Power cord w/ straight blade plug
 10P - 277V, 20A, 15' Power cord w/ straight blade plug
 10T - 277V, 15A, 10' Power cord w/ twist lock plug
 10T2 - 277V, 20A, 10' Power cord w/ twist lock plug
 6C - 600V rated 6' Power cord only. No plug
 10C - 600V rated 10' Power cord only. No plug
 20C - 600V rated 20' Power cord only. No plug
 6W - 600V rated 6' flexible metal conduit fixture whip
 6C4 - 120V-300V 6' Power cord only, 4 wire. No plug
 20C4 - 120V-600V 20' Power cord only, 4 wire. No plug
 8T - 480V, 20A, 8' Power cord w/ L8-20 twist lock plug

Occupancy Sensors

OS6 - Occupancy sensor w/ bracket for 15'+ mounting hgt.
 OS9 - Occupancy sensor w/ bracket for <15' mounting hgt.
 OSL - Occupancy sensor w/ bracket for 20'+ mounting hgt.

* Use a program rapid start ballast with occupancy sensor. TCP is not responsible for lamps failing prematurely due to an occupancy sensor being used with an instant start ballast.

Wireguard

WG - Wireguard for Green Hi-Bay

Emergency Ballasts

B1 - 400 LMS 90 min
 B7 - 550 LMS 120 min
 B9 - 550 LMS 90 min
 B6 - 650 LMS 90 min
 B5 - 1350 LMS 90 min
 B3 - 3000 LMS 90 min
 BL5 - 700 LMS 90 min.
 (For use with T5)
 BL6 - 1250 LMS 90 min.
 (For use with T5)

Lamps Installed in Job Pack

730 - T8 Lamps Only
 735 - T8 Lamps Only
 741 - T8 Lamps Only
 830 - T5 and T8 Lamps
 835 - T5 and T8 Lamps
 841 - T5 and T8 Lamps
 850 - T5 and T8 Lamps
 865 - T5 and T8 Lamps
 830HL - T8 Lamps Only
 835HL - T8 Lamps Only
 841HL - T8 Lamps Only
 850HL - T8 Lamps Only
 865HL - T8 Lamps Only
 830XHL - T8 Lamps Only
 835XHL - T8 Lamps Only
 841XHL - T8 Lamps Only
 850XHL - T8 Lamps Only
 865XHL - T8 Lamps Only

Special Mounting

EZHANGER - 15' adjustable aircraft cable hanging kit
 HCB - Hub Connector Box - 3/4" Threaded Hub Mount
 12Pendantkit - Mounting kit for 1/2" pendants
 34Pendantkit - Mounting kit for 3/4" pendants
 LHKIT - Single Point Hook Mounting Kit complete

Fixture Color

White - Standard Color
 Unless Specified

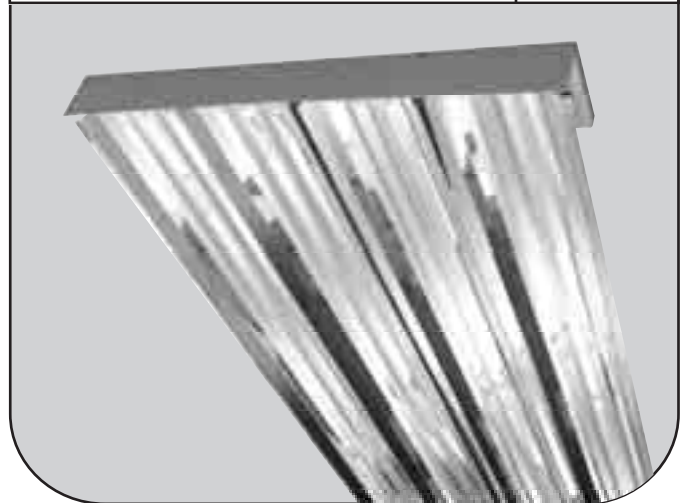
Orange
 Green
 Blue
 Yellow
 Bronze
 Black
 Red

For Custom Color Please Provide RAL #

Catalog Number

Notes

Type



Green Hi-Bay T5 and T8 Series

Maintenance

No tools required for lamp and ballast access.

Warranty

One year warranty against defect in manufacturing

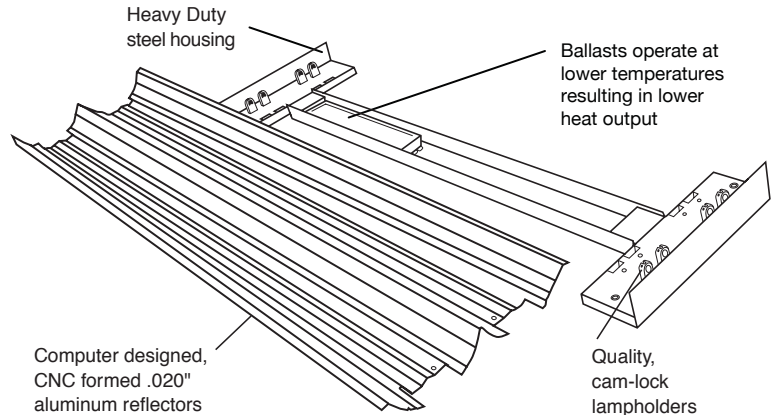
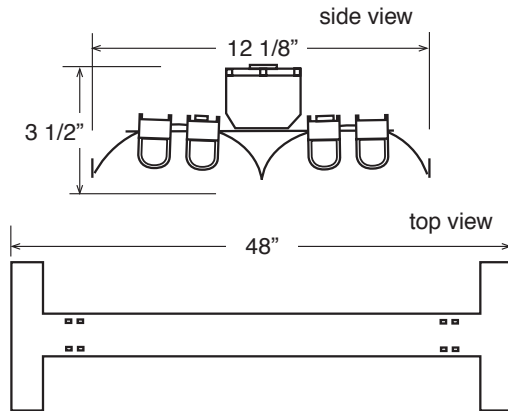
Installation

Suspension by chain, cable, hook or monopoint with appropriate accessories.

Listing

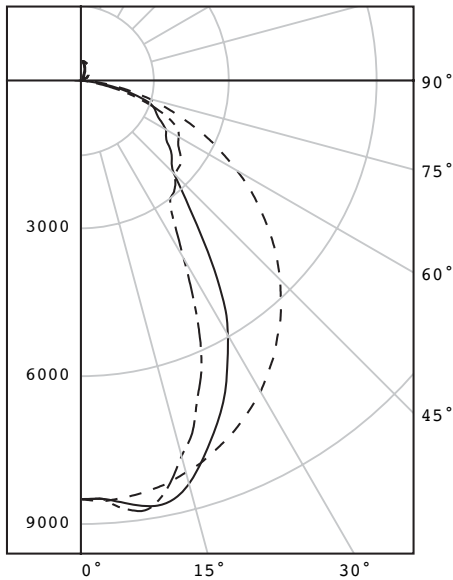
UL/CUL Listed - Suitable for damp locations.

Dimensions & Construction



Photometric Report 1 x 4 Green Hi-Bay, 4-54W, 95% Specular Reflector, with Uplight

TCP Green Hi-Bay Luminaire with Enhanced Aluminum reflector, 4-54W lamps with lumen rating of 5000 lumens and two electronic ballasts operating at 120 VAC and 229 watts.



Candela Distribution

	0.0	22.5	45.0	67.5	90.0
0.0	8495	8495	8495	8495	8495
5.0	8520	8524	8477	8077	7896
15.0	8235	8558	8477	8077	7896
25.0	7665	7962	6930	6119	5703
35.0	6827	6561	4745	3467	3186
45.0	5711	4841	2674	2717	2701
55.0	4387	2775	2120	2390	2432
65.0	2917	1428	1720	2047	2086
75.0	1439	920	1154	1020	931
85.0	223	235	50	8	0
90.0	0	0	0	0	0

Zonal Lumen Summary

Zone	Lumens	% Lamp	% Fixt.
0-30	6326	35.5	34.5
0-40	9430	53.0	51.4
0-60	14648	82.3	79.8
0-90	17831	100.2	97.1
90-120	111	0.6	0.6
90-150	306	1.7	1.7
90-180	531	3.0	2.9
0-180	13254	103.2	100.0

Total Luminaire Efficiency = 103.2%

Luminance Data in Candela/Square Meter

	0.0	45.0	90.0
45.0	22374	10476	10581
55.0	21188	10239	11746
65.0	19120	11274	13673
75.0	15402	12351	9965
85.0	7088	1589	0

Paint Reflectance = 0.78 S/MH = 1.21

Spacing Criteria (0) = 1.3

Spacing Criteria (90) = 0.9