



# High Bay Fixture Exterior Fuse Specifications

## Exterior Fuse for TCP High Bay Fixtures

- Use for 120V and 277V applications

TCP Item Number	Description	Volt Rating	Ampere Rating
LC306	120V Exterior Fuse Assembly (fuse and fuse holder)	125 VAC	6A
LC307	277V Exterior Fuse Assembly (fuse and fuse holder)	300 VAC	2A
LC305	Fuse Holder Only	300 VAC	15A
LC304	120V Fuse Only	125 VAC	6A
LC308	277V Fuse Only	300 VAC	2A

Exterior in-line fuses are used to protect fluorescent lighting fixtures and give increased safety and reliability to lighting systems.

In the event of a fault occurring in the fixture in-line fuses provide protection to the entire branch circuit.

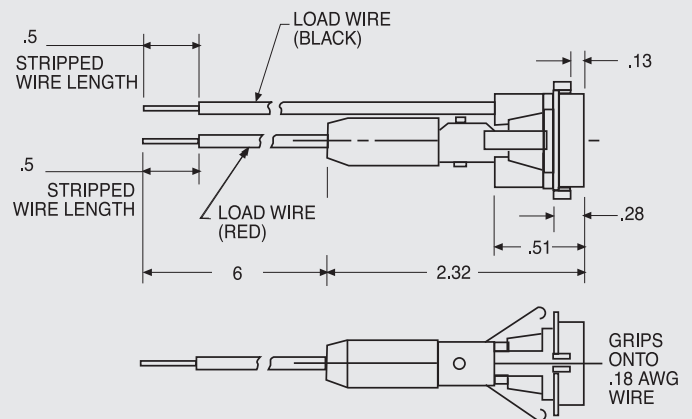
### Highlights

- Fast acting
- Integral fuse and insulating cap
- Thermoplastic insulator - 150° C RTI
- Superior wire retention

### Approvals

- UL Listed
- CSA Certified

#### FUSE HOLDER



#### FUSE

