



High Bay Fixture Mount Specifications

Pendant Mounting Kit for TCP High Bay Fixtures

- Use for fixture mounting with 3/4" Pendants

TCP Item Number: 34PENDANTKIT

3/4"

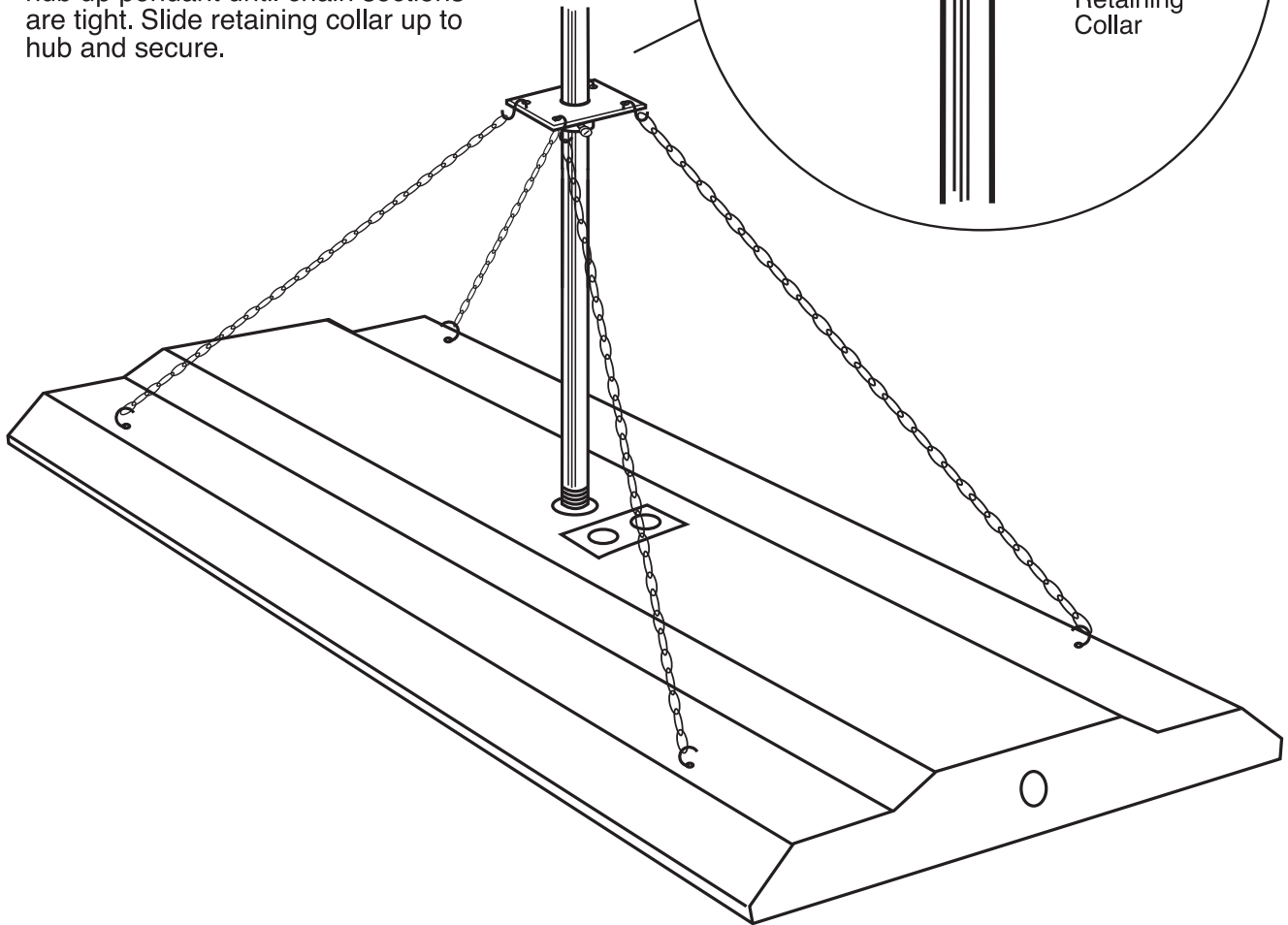
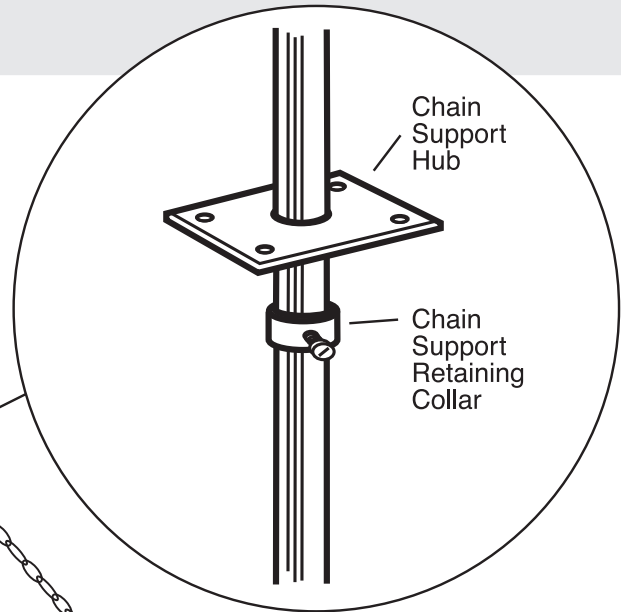
**Pendant
Kit**

Components included with each kit:

- 1 - Chain support retaining collar with set screw (1.75" O.D. - 1.125" I.D.)
- 1 - 3" x 3" Chain support hub with 1.125" diameter opening
- 4 - 24" long Chains
- 8 - S-hooks

Mounting Instructions:

- 1) Slide chain support hub and retaining collar onto existing pendant. Attach pendant to fixture.
- 2) Use S-hooks to attach chain supports to the fixture body and the chain support hub. Adjust chain length as necessary. Slide chain support hub up pendant until chain sections are tight. Slide retaining collar up to hub and secure.



Technical Consumer Products, Inc

300 Lena Drive | Aurora, Ohio 44202 | P: 800-324-1496 | F: 330-995-6188 | www.tcp.com

©TCP, Inc. 03/06 00339 SS