

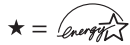


Utility Wall Sconce Specifications

26W PL Lamp

- NPF, 10,000 hours lamp life, 50,000 hrs. ballast life

Item #	Description	Ballast Wattage	Incandescent Comparison (Watts)	Initial Lumens	Input Line Current	Total Harmonic Distortion	Power Factor	Replacement Lamp
14026WSTW ★	26W PL Wall Sconce, textured white finish, alabaster glass	26	100	1600	.28A	<150%	>.50	26W Quad Tube PL CFQ26W/G24Q30K



Applications

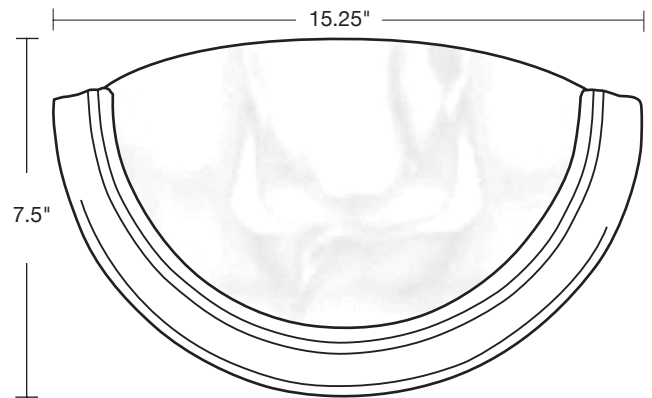
- For use anywhere a standard incandescent wall sconce fixture is used
- Use in hallways, living rooms, and rec rooms

Features and Benefits

- Long life, 10,000 hour average rated bulb life, 50,000 hour average rated ballast life
- Bulb lasts 7 years, based on 3 hours per day
- Bulb lasts 10 times longer than similar incandescent bulbs
- Quick run-up time
- Instant start, flicker free
- World class phosphor insures high lumen output and excellent lumen maintenance

Specifications (at full brightness)

End of life protection	Yes
Ballast Type	Electronic
Starting Method	Modified Rapid Start
Input Line Voltage	120VAC
Input Line Frequency	50/60HZ
Lamp Life (rated)	10,000 hours
Color Temperature	3000°K
Color Rendering Index	82
Minimum Starting Temperature	0°F
Maximum Operating Temperature	160°F
U.L./C.U.L. Listed	Yes
FCC Compliance	Part 18, Subpart C
Lamp Operating Frequency	45KHZ
Lamp Current Crest Factor	< 1.60
Maximum Open Circuit Voltage	600V



Height - 7.5"
Width - 15.25"
Depth - 4"



ISO 9002
CERTIFIED

2 YEAR
WARRANTY



TCP, Inc

325 Campus Dr. | Aurora, Ohio 44202 | P: 1-800-324-1496 | F: 330-995-6188 | www.tcpi.com

©TCP, Inc. 2008/02478