

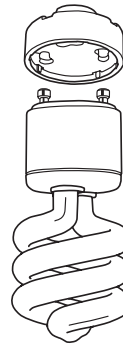
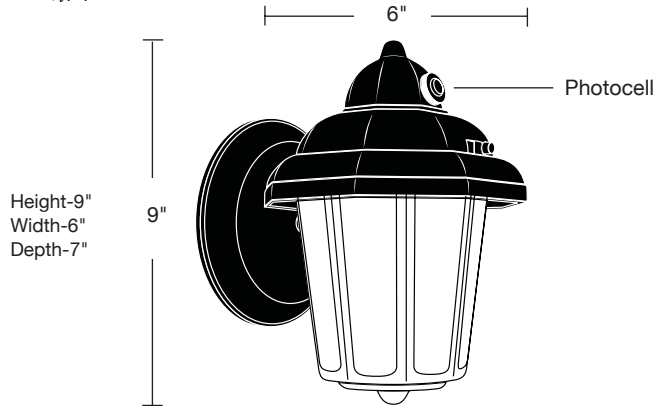
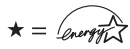


# GU24 Outdoor Pagoda Fixture Specifications

## 13W, 18W, 23W GU24 Lamps

- GU24 Base, NPF Compact Fluorescent, 10,000 Hours Lamp life

Item #	Description	Lamp Wattage	Incandescent Wattage Comparison	Initial Lumens	Input Line Current	Power Factor	Replacement Lamp
51013BPCGU ★	13W Outdoor Wall Mounted Pagoda Fixture Black w/ Photo Cell	13	60	900	.22A	>.50	33113SP
51013WPCGU ★	13W Outdoor Wall Mounted Pagoda Fixture White w/ Photo Cell	13	60	900	.22A	>.50	33113SP
51018BPCGU ★	18W Outdoor Wall Mounted Pagoda Fixture Black w/ Photo Cell	18	75	1200	.30A	>.50	33118SP
51018WPCGU ★	18W Outdoor Wall Mounted Pagoda Fixture White w/ Photo Cell	18	75	1200	.30A	>.50	33118SP
51023BPCGU ★	23W Outdoor Wall Mounted Pagoda Fixture Black w/ Photo Cell	23	90	1600	.43A	>.50	33123SP
51023WPCGU ★	23W Outdoor Wall Mounted Pagoda Fixture White w/ Photo Cell	23	90	1600	.43A	>.50	33123SP
51027BPCGU ★	27W Outdoor Wall Mounted Pagoda Fixture Black w/ Photo Cell	27	100	1800	.45A	>.50	33127SP
51027WPCGU ★	27W Outdoor Wall Mounted Pagoda Fixture White w/ Photo Cell	27	100	1800	.45A	>.50	33127SP



GU24 Lamp



### Specifications ( at full brightness )

End of Life Protection-----	Yes
Ballast Type -----	Electronic
Starting Method -----	Modified Rapid Start
Input Line Voltage -----	120VAC
Input Line Frequency -----	50/60HZ
Lamp Life (rated) -----	10,000 Hours
Color Temperature -----	2700°K
Color Rendering Index -----	82
Minimum Starting Temperature -----	-20 ° F
Maximum Operating Temperature -----	160 ° F
U.L. / C.U.L. Listed -----	Yes
FCC Compliance -----	Part 18, Subpart C
Lamp Operating Frequency -----	45 KHZ
Lamp Current Crest Factor -----	< 1.60
Maximum Open Circuit Voltage -----	600V
Power Factor -----	>.50
Total Harmonic Distortion -----	< 150%
Dimming Range -----	N/A

### Applications:

- Use outdoors, mounts to any wall
- Perfect for: porches, doorways, and garages

### Features and Benefits

- UL approved for wet locations
- Fixtures automatically include Photocell for dusk to dawn applications
- Long life, 10,000 hour average rated lamp life
- Lasts 7 years, based on 3 hours use per day
- Lasts 10 times longer than similar incandescent
- Quick run-up time
- Instant start, flicker free
- Replaceable Ballast, snap in / no rewiring
- World class phosphor insures high lumen output and excellent lumen maintenance

