

APPLICATION and PERFORMANCE SPECIFICATION

- Energy saving high efficiency instant start electronic ballast (> 90%)
- Multi-voltage technology handles voltage from 120 to 277v
- UL Type CC Rating provides protection against arcing in electrical devices
- Anti-Striation Control for better light quality, with no striations
- Active Power Factor Correction - Ballast regulates the output to each lamp with individual lamp inverter modules



GENERAL CHARACTERISTICS

Application	4 or 3 F32T8 120 to 277v 0.88BF
Ballast Type	Electronic – High Efficiency Multivolt Instant Start
Starting Method	Instant Start
Lamp Wiring	Parallel
Line Voltage Regulation (+/-)	10%
Ambient Temp . (Max)	105°F 41°C
Case Temp (Max)	167°F 75°C
Ballast Factor	Normal (0.88)
Sound Rating	A
Supply Current Frequency	50 Hz/60 Hz

DIMENSIONS

Case Dimensions	
Length (L)	9.5 in
Width (W)	1.3 in
Height (H)	1.0 in
Lead Lengths	
White/Black	25 in
Red/Blue	31 in
Yellow	46 in
Weight	1.2 lbs.
Exit Type	Side
Remote Mounting Distance to lamp	18 ft.
Remote Mounting Wire Gauge	18 AWG
Case Quantity	10
UPC	762148078845

Lamp Type	Line Volt.	Num. of Lamps	Rated Lamp Watts	Min. Start Temp. (°F/°C)	Input Current (Amps)	Input Power (Watts)	MAX. THD%	Power Factor	Ballast Factor	MAX. Lamp Current Crest Factor	B.E.F.
*F32T8	120	4	32	0/-18	0.93	112	10	0.99	0.88	1.7	0.79
F28T8	120	4	28	0/-18	0.82	94	10	0.99	0.88	1.7	0.94
F25T8	120	4	25	0/-18	0.74	87	10	0.99	0.89	1.7	1.02
F17T8	120	4	17	0/-18	0.49	59	10	0.98	0.90	1.7	1.53
F32T8	120	3	32	0/-18	0.77	92	10	0.99	0.94	1.7	1.02
F28T8	120	3	28	0/-18	0.68	77	10	0.99	0.94	1.7	1.22
*F32T8	277	4	32	0/-18	0.40	108	10	0.98	0.88	1.7	0.81
F28T8	277	4	28	0/-18	0.35	92	10	0.98	0.88	1.7	0.96
F25T8	277	4	25	0/-18	0.33	85	10	0.95	0.89	1.7	1.05
F17T8	277	4	17	0/-18	0.22	58	10	0.90	0.90	1.7	1.55
F32T8	277	3	32	0/-18	0.34	89	10	0.95	0.94	1.7	1.06
F28T8	277	3	28	0/-18	0.28	73	10	0.95	0.94	1.7	1.29

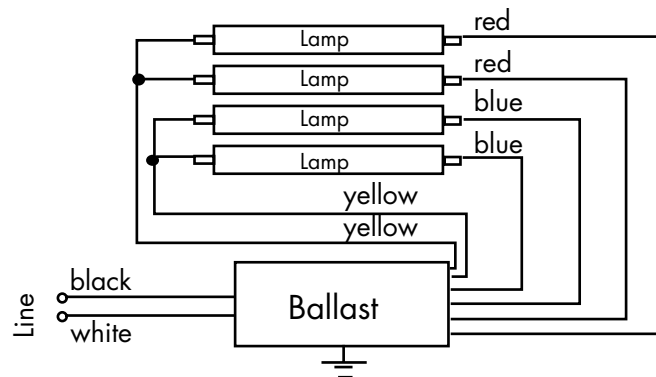
Note: the above data is tested at 60Hz.
 Application and Performance Specification Information Subject to Change without Notification.
 Fully meets UL&cUL safety standards.

PERFORMANCE

- Meets ANSI Standard C82.11-1993
- Meets ANSI Standard C62.41-1991
- Meets FCC 18 Non CONSUMER Limits

SAFETY

- No PCB's
- UL Listed (Class P, Type 1 Outdoor)
- OCV 600V



Note: For three lamps application, cap any blue/red lead. Insulate to 600 volts.