

LED EdgeLit Flat Panel Surface Mount Kit

Applications

TCP's FPSK1, FPSK2 and FPSK4 surface mount kits are an accessory designed especially for TCP EdgeLit Flat Panels. These kits provide an aesthetically pleasing style and an ultra low-profile silhouette. Ideal for field installation on insulated or non-insulated sheet rock ceilings.

Construction

- Durable steel frame; 0.062" thick (1.5 mm)
- Post-painted in white powder coat paint
- Easy-to-assemble for quick field installation
- Ultra low-profile design
- Can accommodate TCP EdgeLit Flat Panels with or without emergency back-up option



Listing

RoHS Compliant

Warranty

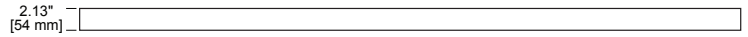
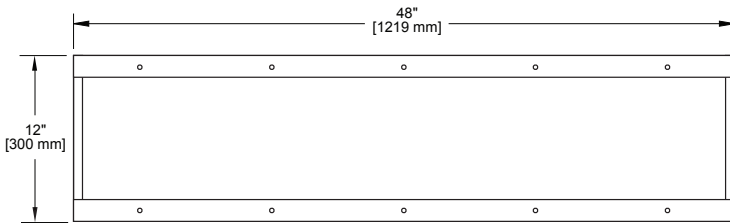
Five year limited warranty against defects in manufacturing

Catalog Ordering Matrix (kits ordered as accessory sold separately)

TCP Item #	SIZE	DIMENSIONS (L x W x D)	WEIGHT (does not include fixture weight)	FINISH	TCP LED FLAT PANEL EDGELIT COMPATIBILITY (TCP Model #s)
FPSK1	1x4	48" 12" x 2.13" (1219mm x 300mm x 54mm)	1.8 lbs (0.82 kg)	White	TCPFP1 TCPFP1EB
FPSK2	2x2	24" x 24" x 2.13" (609mm x 609mm x 54mm)	1.2 lbs (0.55 kg)	White	TCPFP2 TCPFP2EB
FPSK4	2x4	48" x 24" x 2.13" (1219mm x 609mm x 54mm)	2.2 lbs (1.0 kg)	White	TCPFP4 TCPFP4EB

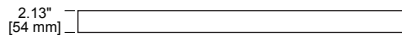
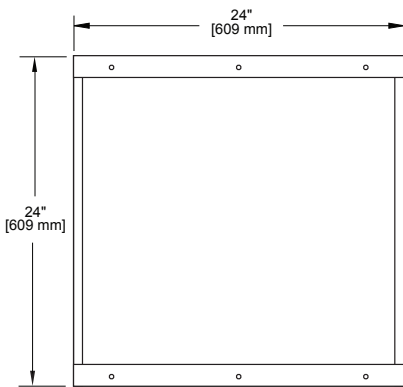
Dimensions and Weight

FPSK1 – 1x4 Kit



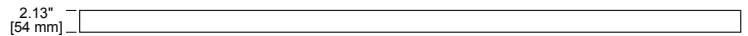
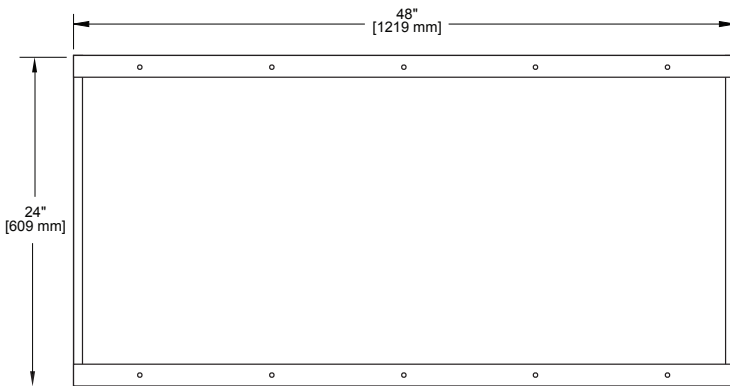
Length: 48" (1219mm)
Width: 12" (300mm)
Depth: 2.13" (54mm)
Weight: 1.8 lbs (0.82 kg)

FPSK2 – 2x2 Kit



Length: 24" (609mm)
Width: 24" (609mm)
Depth: 2.13" (54mm)
Weight: 1.2 lbs (0.55 kg)

FPSK4 – 2x4 Kit



Length: 48" (1219mm)
Width: 24" (609mm)
Depth: 2.13" (54mm)
Weight: 2.2 lbs (1.0 kg)